



CEI NEWS

NOW AVAILABLE IN STOCK / DISPONIBILE A STOCK / DISPONIBLE EN STOCK / DISPONIBLE EN ALMACEN / В НАЛИЧИЕ НА СКЛАДЕ / TERAZ DOSTĘPNE W MAGAZYNIIE



Product details:

CEI no. **102.397**

Description: Input Shaft 27 T
Albero d'entrata Z 27
Arbre d'entrée 27 D
Arbol de entrada 27 D

Weight: 7,330 Kg

Packaging: Carton box 130x130x375 mm

Notes:

Catalogue Codes:

400.090 - 400.295

Suitable to:

Groups / Products

CAMBIO / GEARBOX / BOITE DE VITESSE / CAJA DE CAMBIO / КОРОБКА ПЕРЕДАЧ / SKRZYŃNIA BIEGÓW

Original manufacturers:

ZF

OEM no.

1310 302 088 (ZF)

42540077 (IVECO)

81 32205 0311 (MAN)

50 01 859 032 (RENAULT)

Models:

NEW ECOLITE

Versions:

6S1600



CEI NEWS

NOW AVAILABLE IN STOCK / DISPONIBILE A STOCK / DISPONIBLE EN STOCK / DISPONIBLE EN ALMACEN / В НАЛИЧИЕ НА СКЛАДЕ / TERAZ DOSTĘPNE W MAGAZYNIE



Product details:

CEI no. **103.245**

Description: Main shaft
Albero primario
Arbre primaire
Arbol primario

Weight: 11,580 Kg

Packaging: Carton box 120x120x520 mm

Notes:

Catalogue Codes:

400.050

Suitable to:

Groups / Products

CAMBIO / GEARBOX / BOITE DE VITESSE / CAJA DE CAMBIO / КОРОБКА ПЕРЕДАЧ / SKRZYŃNIA BIEGÓW

Original manufacturers:

MERCEDES

OEM no.

974 262 0005

972 262 0605

Versions:

G56-6, G70-6

Applications:

VARIO, ATEGO, NEW ATEGO



CEI NEWS

NOW AVAILABLE IN STOCK / DISPONIBILE A STOCK / DISPONIBLE EN STOCK / DISPONIBLE EN ALMACEN / В НАЛИЧИЕ НА СКЛАДЕ / TERAZ DOSTĘPNE W MAGAZYNIE



Product details:

CEI no. **103.350**

Description: Main shaft
Albero primario
Arbre primaire
Arbol primario

Weight: 15,200 Kg

Packaging: Carton box 540x135x135 mm

Notes:

Catalogue Codes:

Suitable to:

Groups / Products

CAMBIO / GEARBOX / BOITE DE VITESSE / CAJA DE CAMBIO / КОРОБКА ПЕРЕДАЧ / SKRZYŃNIA BIEGÓW

Original manufacturers:

MERCEDES

OEM no.

960 262 3805

960 262 0105

948 262 0205

Versions:

G281-12 KL, G330-12 KL

Applications:

AXOR, ACTROS 2/3, ACTROS 4 / ANTOS, AROCS



CEI NEWS

NOW AVAILABLE IN STOCK / DISPONIBILE A STOCK / DISPONIBLE EN STOCK / DISPONIBLE EN ALMACEN / В НАЛИЧИЕ НА СКЛАДЕ / TERAZ DOSTĘPNE W MAGAZYNIE



Product details:

CEI no. **103.351**

Description: Main shaft
Albero primario
Arbre primaire
Arbol primario

Weight: 14,578 Kg

Packaging: Carton box 540x135x135 mm

Notes:

Suitable to:

Groups / Products

CAMBIO / GEARBOX / BOITE DE VITESSE / CAJA DE CAMBIO / КОРОБКА ПЕРЕДАЧ / SKRZYŃNIA BIEGÓW

Original manufacturers:

MERCEDES

OEM no.
930 262 1005

Versions:
G241-16 KL, G280-16 KL

Applications:

AXOR, ACTROS 1, ACTROS 2/3, ACTROS 4 / ANTOS, AROCS, ECONIC

Catalogue Codes:



CEI NEWS

NOW AVAILABLE IN STOCK / DISPONIBILE A STOCK / DISPONIBLE EN STOCK / DISPONIBLE EN ALMACEN / В НАЛИЧИЕ НА СКЛАДЕ / TERAZ DOSTĘPNE W MAGAZYNIE



Product details:

CEI no. **109.344**

Description: Synchronizer cone
Cono sincronizzatore
Cône de synchronisation
Cono del sincronizador

Weight: 1,138 Kg

Packaging: Carton box 159x159x31 mm

Notes:

Catalogue Codes:

400.050

Suitable to:

Groups / Products

CAMBIO / GEARBOX / BOITE DE VITESSE / CAJA DE CAMBIO / КОРОБКА ПЕРЕДАЧ / SKRZYŃNIA BIEGÓW

Original manufacturers:

MERCEDES

OEM no.

387 262 5034

387 262 0734

Versions:

GO4/95-5 (R. 5,10-1,00), GO4/110-5 (R. 5,10-1,00), G4/65-6 (R. 9,00-1,00), G4/95-6 (R. 9,00-1,00), G4/110-6 (R. 9,00-1,00), GV4/95-6 (R. 9,00-1,00), GV4/110-6 (R. 9,00-1,00)

Applications:

NG, LK/LN2, MK, SK, O Series, OH Series



CEI NEWS

NOW AVAILABLE IN STOCK / DISPONIBILE A STOCK / DISPONIBLE EN STOCK / DISPONIBLE EN ALMACEN / В НАЛИЧИЕ НА СКЛАДЕ / TERAZ DOSTĘPNE W MAGAZYNIE



Product details:

CEI no. **109.815**

Description: Synchronizer cone
Cono sincronizzatore
Cône de synchronisation
Cono del sincronizador

Weight: 0,766 Kg

Packaging: Carton box 159x159x31 mm

Notes:

Catalogue Codes:

400.050

Suitable to:

Groups / Products

CAMBIO / GEARBOX / BOITE DE VITESSE / CAJA DE CAMBIO / КОРОБКА ПЕРЕДАЧ / SKRZYŃNIA BIEGÓW

Original manufacturers:

MERCEDES

OEM no.

972 262 1934

972 262 0834

971 262 0662

Versions:

G56-6, G70-6

Applications:

VARIO, ATEGO, NEW ATEGO



CEI NEWS

NOW AVAILABLE IN STOCK / DISPONIBILE A STOCK / DISPONIBLE EN STOCK / DISPONIBLE EN ALMACEN / В НАЛИЧИЕ НА СКЛАДЕ / TERAZ DOSTĘPNE W MAGAZYNIE



Product details:

CEI no. **109.877**

Description: Synchronizer Cone
Cono sincronizzatore
Cone de synchro
Cono de sincronizacion

Weight: 1,250 Kg

Packaging: Carton box 193x193x30 mm

Notes:

Catalogue Codes:

403.195

Suitable to:

Groups / Products

CAMBIO / GEARBOX / BOITE DE VITESSE / CAJA DE CAMBIO / КОРОБКА ПЕРЕДАЧ / SKRZYŃNIA BIEGÓW

Original manufacturers:

ZF

OEM no.

1325 304 059 (ZF)

1904803 (DAF)

Models:

ECOSPLIT IV

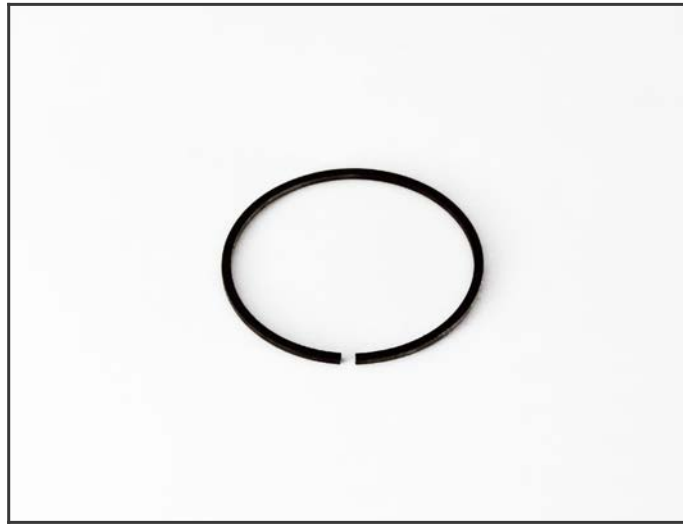
Versions:

12S2130, 12S213, 12S2131, 12S2133, 12S2330, 12S233, 12S2331, 12S2333



CEI NEWS

NOW AVAILABLE IN STOCK / DISPONIBILE A STOCK / DISPONIBLE EN STOCK / DISPONIBLE EN ALMACEN / В НАЛИЧИЕ НА СКЛАДЕ / TERAZ DOSTĘPNE W MAGAZYNIE



Product details:

CEI no. **111.582**

Description: Elastic ring
Anello elastico
Bague élastique
Arbol elàstico

Weight: 0,900 Kg

Packaging: Plastic bag

Notes:
The package includes 5 pcs.

Catalogue Codes:
-

Suitable to:

Groups / Products

CAMBIO / GEARBOX / BOITE DE VITESSE / CAJA DE CAMBIO / КОРОБКА ПЕРЕДАЧ / SKRZYŃNIA BIEGÓW

Original manufacturers:

IVECO

OEM no.
8860342

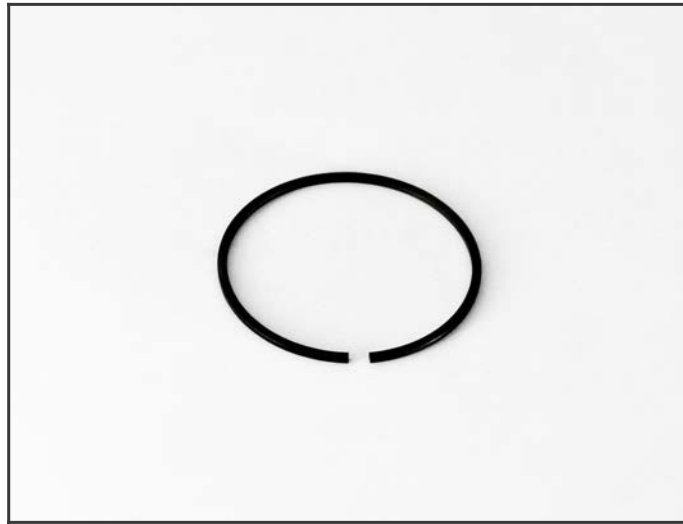
Versions:
2870.9, 2895.9

Applications:
EUROCARGO, EUROTECH



CEI NEWS

NOW AVAILABLE IN STOCK / DISPONIBILE A STOCK / DISPONIBLE EN STOCK / DISPONIBLE EN ALMACEN / В НАЛИЧИЕ НА СКЛАДЕ / TERAZ DOSTĘPNE W MAGAZYNIE



Product details:

CEI no. **111.584**

Description: Elastic ring
Anello elastico
Bague élastique
Arbol elàstico

Weight: 0,500 Kg

Packaging: Plastic bag

Notes:
The package includes 5 pcs.

Catalogue Codes:
-

Suitable to:

Groups / Products

CAMBIO / GEARBOX / BOITE DE VITESSE / CAJA DE CAMBIO / КОРОБКА ПЕРЕДАЧ / SKRZYŃNIA BIEGÓW

Original manufacturers:

IVECO

OEM no.
8860344

Versions:
2870.9, 2895.9

Applications:
EUROCARGO, EUROTECH



CEI NEWS

NOW AVAILABLE IN STOCK / DISPONIBILE A STOCK / DISPONIBLE EN STOCK / DISPONIBLE EN ALMACEN / В НАЛИЧИЕ НА СКЛАДЕ / TERAZ DOSTĘPNE W MAGAZYNIE



Product details:

CEI no. **117.526**

Description: Bush
Boccola
Douille
Casquillo

Weight: 0,702 Kg

Packaging: Carton box 128x92x92 mm

Notes:

Catalogue Codes:

403.195

Suitable to:

Groups / Products

CAMBIO / GEARBOX / BOITE DE VITESSE / CAJA DE CAMBIO / КОРОБКА ПЕРЕДАЧ / SKRZYŃNIA BIEGÓW

Original manufacturers:

ZF

OEM no.
0750 119 140 (ZF)
1904780 (DAF)

Models:
ECOSPLIT IV

Versions:
12S2330, 12S233, 12S2331, 12S2333



CEI NEWS

NOW AVAILABLE IN STOCK / DISPONIBILE A STOCK / DISPONIBLE EN STOCK / DISPONIBLE EN ALMACEN / В НАЛИЧИЕ НА СКЛАДЕ / TERAZ DOSTĘPNE W MAGAZYNIE



Product details:

CEI no. **119.411**

Description: Synchronizer ring
Anello sincronizzatore
Bague de synchro
Anillo sincronizador

Weight: 0,437 Kg

Packaging: Carton box 193x193x30 mm

Notes:

Catalogue Codes:

Suitable to:

Groups / Products

CAMBIO / GEARBOX / BOITE DE VITESSE / CAJA DE CAMBIO / КОРОБКА ПЕРЕДАЧ / SKRZYŃNIA BIEGÓW

Original manufacturers:

VOLVO

OEM no.

21992993 (VOLVO)

74 21 992 993 (RENAULT)

Versions:

AT2612D, AT2812D, AT02612D, AT03112D, AT03512D, AT2612E,
AT2812E, AT02612E, AT03112E, AT03512E, AT2612F, AT2812F,
AT02612F, AT03112F, AT03512F

Applications:

FH12, FH16, FH



CEI NEWS

NOW AVAILABLE IN STOCK / DISPONIBILE A STOCK / DISPONIBLE EN STOCK / DISPONIBLE EN ALMACEN / В НАЛИЧИЕ НА СКЛАДЕ / TERAZ DOSTĘPNE W MAGAZYNIE



Product details:

CEI no. **128.376**

Description: Front Cover
Coperchio anteriore
Couvercle avant
Tapa delantera

Weight: 3,572 Kg

Packaging: Carton box 345x345x100 mm

Notes:

Catalogue Codes:

403.195

Suitable to:

Groups / Products

CAMBIO / GEARBOX / BOITE DE VITESSE / CAJA DE CAMBIO / КОРОБКА ПЕРЕДАЧ / SKRZYŃNIA BIEGÓW

Original manufacturers:

ZF

OEM no.

1325 302 052 (ZF)

42562885 (IVECO)

1869862 (DAF)

98344998 (ASTRA)

Models:

ECOSPLIT IV

Versions:

12S2130, 12S213, 12S2131, 12S2133, 12S2330, 12S233, 12S2331, 12S2333, 16S1620, 16S1621, 16S1631, 16S1830, 16S1833, 16S1930, 16S193, 16S1931, 16S1933, 16S2220, 16S2221, 16S2230, 16S2331, 16S2520, 16S2521, 16S2530, 16S2531, 16S2533



CEI NEWS

NOW AVAILABLE IN STOCK / DISPONIBILE A STOCK / DISPONIBLE EN STOCK / DISPONIBLE EN ALMACEN / В НАЛИЧИЕ НА СКЛАДЕ / TERAZ DOSTĘPNE W MAGAZYNIE



Product details:

CEI no. **130.394**

Description: Bearing
Cuscinetto
Roulement
Rodamiento

Weight: 0,830 Kg

Packaging: Plastic bag

Notes:
Premium brand

Catalogue Codes:

401.195 - 402.195

Suitable to:

Groups / Products

CAMBIO / GEARBOX / BOITE DE VITESSE / CAJA DE CAMBIO / КОРОБКА ПЕРЕДАЧ / SKRZYŃNIA BIEGÓW

Original manufacturers:

ZF

OEM no.

0635 450 098 (ZF)

1905359 (IVECO)

0069369 (DAF)

N005412 900023 (MERCEDES)

06 32739 0002 (MAN)

50 00 293 041 (RENAULT)

111800 (ASTRA)

Models:

ECOSPLIT III, NEW ECOSPLIT III

Versions:

16S151, 16S181, 16S221, 16S1625, 16S1822, 16S1825, 16S1922,
16S2221, 16S2222, 16S2225, 16S2322, 16S2522, 16S2525, Clutch PTO
NMV



CEI NEWS

NOW AVAILABLE IN STOCK / DISPONIBILE A STOCK / DISPONIBLE EN STOCK / DISPONIBLE EN ALMACEN / В НАЛИЧИЕ НА СКЛАДЕ / TERAZ DOSTĘPNE W MAGAZYNIE



Product details:

CEI no. **130.408**

Description: Bearing 30x80x21
Cuscinetto 30x80x21
Roulement 30x80x21
Rodamiento 30x80x21

Weight: 0,534 Kg

Packaging: Carton box 90x90x35 mm

Notes:
Premium brand

Catalogue Codes:
400.295

Suitable to:

Groups / Products

CAMBIO / GEARBOX / BOITE DE VITESSE / CAJA DE CAMBIO / КОРОБКА ПЕРЕДАЧ / SKRZYŃNIA BIEGÓW

Original manufacturers:

ZF

OEM no.
0750 116 386 (ZF)
50 01 863 485 (RENAULT)

Models:
ECOLITE

Versions:
5S270



CEI NEWS

NOW AVAILABLE IN STOCK / DISPONIBILE A STOCK / DISPONIBLE EN STOCK / DISPONIBLE EN ALMACEN / В НАЛИЧИЕ НА СКЛАДЕ / TERAZ DOSTĘPNE W MAGAZYNIE



Product details:

CEI no. **130.491**

Description: Bearing
Cuscinetto
Roulement
Rodamiento

Weight: 0,754 Kg

Packaging: Carton box

Notes:
Premium brand

Catalogue Codes:
400.055

Suitable to:

Groups / Products

DIFFERENZIALE / DIFFERENTIAL / DIFFERENTIEL / DIFERENCIAL / ДИФФЕРЕНЦИАЛ В СБОРЕ / MECHANIZM RÓŻNICOWY

Original manufacturers:

MAN

OEM no.
06 32599 0075

Versions:

HY-0925, HY-0925B, HY-1130, HY-1130B, HY-1133

Applications:

TGL, TGM, BUS (MAN), BUS (NEOPLAN)



CEI NEWS

NOW AVAILABLE IN STOCK / DISPONIBILE A STOCK / DISPONIBLE EN STOCK / DISPONIBLE EN ALMACEN / В НАЛИЧИЕ НА СКЛАДЕ / TERAZ DOSTĘPNE W MAGAZYNIE



Product details:

CEI no. **130.686**

Description: Roller Bearing 50,8x104,7x30,1
Cuscinetto rulli 50,8x104,7x30,1
Roulement 50,8x104,7x30,1
Cojinete 50,8x104,7x30,1

Weight: 1,127 Kg

Packaging: Carton box

Notes:
Premium brand

Catalogue Codes:

400.090 - 401.195 - 400.295

Suitable to:

Groups / Products

CAMBIO / GEARBOX / BOITE DE VITESSE / CAJA DE CAMBIO / КОРОБКА ПЕРЕДАЧ / SKRZYŃNIA BIEGÓW

Original manufacturers:

ZF

OEM no.

0750 117 899 (ZF)

42568697 (IVECO)

1291270 (DAF)

009 981 2301 (MERCEDES)

1699880 (VOLVO)

Models:

ECOSPLIT I-II, ECOMID

Versions:

16S220A, 9S75



CEI NEWS

NOW AVAILABLE IN STOCK / DISPONIBILE A STOCK / DISPONIBLE EN STOCK / DISPONIBLE EN ALMACEN / В НАЛИЧИЕ НА СКЛАДЕ / TERAZ DOSTĘPNE W MAGAZYNIE



Product details:

CEI no. **130.785**

Description: Bearing 45x85x19
Cuscinetto 45x85x19
Roulement
Rodamiento

Weight: 0,431 Kg

Packaging: Carton box

Notes:
Premium brand

Catalogue Codes:
400.295

Suitable to:

Groups / Products

CAMBIO / GEARBOX / BOITE DE VITESSE / CAJA DE CAMBIO / КОРОБКА ПЕРЕДАЧ / SKRZYŃNIA BIEGÓW

Original manufacturers:

ZF

OEM no.
0750 116 231
0735 330 712

Models:
ECOLITE

Versions:
6S300, 6S350, 6S380, 6S400, 6S420



CEI NEWS

NOW AVAILABLE IN STOCK / DISPONIBILE A STOCK / DISPONIBLE EN STOCK / DISPONIBLE EN ALMACEN / В НАЛИЧИЕ НА СКЛАДЕ / TERAZ DOSTĘPNE W MAGAZYNIE



Product details:

CEI no. **130.844**

Description: Ball Bearing 55x120x29
Cuscinetto sfere 55x120x29
Roulem.a billes 55x120x29
Cojinete de bolas 55x120x29

Weight: 1,400 Kg

Packaging: Carton box

Notes:
Premium brand

Catalogue Codes:
400.050

Suitable to:

Groups / Products

CAMBIO / GEARBOX / BOITE DE VITESSE / CAJA DE CAMBIO / КОРОБКА ПЕРЕДАЧ / SKRZYŃNIA BIEGÓW

Original manufacturers:

MERCEDES

OEM no.

009 981 5825

009 981 5525

007 981 3625

Versions:

G6-60, G60-6 (R. 9,20-1,00), G85-6 (R. 6,70-0,73), GO110-6 (R. 6,10-0,75)

Applications:

VARIO, LK/LN2, SK, ATEGO, MAXI ATEGO, AXOR, INTOURO



CEI NEWS

NOW AVAILABLE IN STOCK / DISPONIBILE A STOCK / DISPONIBLE EN STOCK / DISPONIBLE EN ALMACEN / В НАЛИЧИЕ НА СКЛАДЕ / TERAZ DOSTĘPNE W MAGAZYNIIE



Product details:

CEI no. **130.867**

Description: Roller Bearing
Cuscinetto a rulli
Roulem.à rouleaux
Cojinete

Weight: 0,424 Kg

Packaging: Carton box

Notes:
Premium brand

Catalogue Codes:
400.050

Suitable to:

Groups / Products

DIFFERENZIALE / DIFFERENTIAL / DIFFERENTIEL / DIFERENCIAL / ДИФФЕРЕНЦИАЛ В СБОРЕ / MECHANIZM RÓŻNICOWY

Original manufacturers:

MERCEDES

OEM no.
001 980 6802
000 980 1902

Versions:
HLO

Applications:
SPRINTER



CEI NEWS

NOW AVAILABLE IN STOCK / DISPONIBILE A STOCK / DISPONIBLE EN STOCK / DISPONIBLE EN ALMACEN / В НАЛИЧИЕ НА СКЛАДЕ / TERAZ DOSTĘPNE W MAGAZYNIIE



Product details:

CEI no. **134.144**

Description: Bearing
Cuscinetto
Roulement
Rodamiento

Weight: 1,233 Kg

Packaging: Carton box

Notes:
Premium brand

Suitable to:

Groups / Products

CAMBIO / GEARBOX / BOITE DE VITESSE / CAJA DE CAMBIO / КОРОБКА ПЕРЕДАЧ / SKRZYŃNIA BIEGÓW

Original manufacturers:

ZF

OEM no.
0735 372 115
0735 372 110

Models:
AS TRONIC, TC TRONIC, TRAXON

Versions:

12AS1631, 12AS1931, 12AS2001, 12AS2131, 12AS2141, 12AS2331,
12AS2341, 12AS2541, 12AS2941, 12AS3041, 12AS3141, 16AS2631,
12TC2846, 12TC3041, 12TX1411, 12TX1611, 12TX1811, 12TX2011,
12TX2211, 12TX2411, 12TX2416, 12TX2421, 12TX2811, 12TX2611,
12TX2621, 12TX2821, 12TX2826, 12TX3021, 12TX3421, 16TX2241,
16TX2441, 16TX2641, 16TX2841, 16TX3441

Catalogue Codes:



CEI NEWS

NOW AVAILABLE IN STOCK / DISPONIBILE A STOCK / DISPONIBLE EN STOCK / DISPONIBLE EN ALMACEN / В НАЛИЧИЕ НА СКЛАДЕ / TERAZ DOSTĘPNE W MAGAZYNIE



Product details:

CEI no. **135.173**

Description: Gearbox reduction plate
Piastra riduttore cambio
Plaque de boîte de vitesses
Placa reducció cambió

Weight: 0,480 Kg

Packaging: Plastic bag

Notes:

Catalogue Codes:

Suitable to:

Groups / Products

CAMBIO / GEARBOX / BOITE DE VITESSE / CAJA DE CAMBIO / КОРОБКА ПЕРЕДАЧ / SKRZYŃNIA BIEGÓW

Original manufacturers:

EATON - FULLER

OEM no.

8875646 (EATON - FULLER)

42558278 (IVECO)

81 32313 0293 (MAN)

50 01 836 420 (RENAULT)

Models:

EATON Mid range (9 Speeds)

Versions:

6109, FS 6309, FSO 6309, 8209, 8309, FS 8309A, FS 8309, FSO 8309



CEI NEWS

NOW AVAILABLE IN STOCK / DISPONIBILE A STOCK / DISPONIBLE EN STOCK / DISPONIBLE EN ALMACEN / В НАЛИЧИЕ НА СКЛАДЕ / TERAZ DOSTĘPNE W MAGAZYNIE



Product details:

CEI no. **135.293**

Description: Gearbox reduction plate
Piastra riduttore cambio
Plaque de boîte de vitesses
Placa reducció cambió

Weight: 0,468 Kg

Packaging: Plastic bag

Notes:

Suitable to:

Groups / Products

CAMBIO / GEARBOX / BOITE DE VITESSE / CAJA DE CAMBIO / КОРОБКА ПЕРЕДАЧ / SKRZYŃNIA BIEGÓW

Original manufacturers:

IVECO

OEM no.
8860805

Versions:
2870.9, 2895.9

Applications:
EUROCARGO, EUROTECH

Catalogue Codes:



CEI NEWS

NOW AVAILABLE IN STOCK / DISPONIBILE A STOCK / DISPONIBLE EN STOCK / DISPONIBLE EN ALMACEN / В НАЛИЧИЕ НА СКЛАДЕ / TERAZ DOSTĘPNE W MAGAZYNIIE



Product details:

CEI no. **137.301**

Description: Needle cage
Gabbia a rulli
Cage à aiguilles
Portarrodillos

Weight: 0,053 Kg

Packaging: Plastic bag

Notes:

Catalogue Codes:

400.295

Suitable to:

Groups / Products

CAMBIO / GEARBOX / BOITE DE VITESSE / CAJA DE CAMBIO / КОРОБКА ПЕРЕДАЧ / SKRZYŃNIA BIEGÓW

Original manufacturers:

ZF

OEM no.

0735 321 450 (ZF)

8869672 (IVECO)

50 01 847 297 (RENAULT)

32273MB90B (NISSAN)

Models:

ECOLITE

Versions:

6S300, 6S350, 6S380, 6S400, 6S420



CEI NEWS

NOW AVAILABLE IN STOCK / DISPONIBILE A STOCK / DISPONIBLE EN STOCK / DISPONIBLE EN ALMACEN / В НАЛИЧИЕ НА СКЛАДЕ / TERAZ DOSTĘPNE W MAGAZYNIE



Product details:

CEI no. **137.441**

Description: Needle cage
Gabbia a rulli
Cage à aiguilles
Portarrodillos

Weight: 0,562 Kg

Packaging: Plastic bag

Notes:

Catalogue Codes:

Suitable to:

Groups / Products

CAMBIO / GEARBOX / BOITE DE VITESSE / CAJA DE CAMBIO / КОРОБКА ПЕРЕДАЧ / SKRZYŃNIA BIEGÓW

Original manufacturers:

IVECO

OEM no.
8871269

Versions:
2840.6

Applications:
DAILY



CEI NEWS

NOW AVAILABLE IN STOCK / DISPONIBILE A STOCK / DISPONIBLE EN STOCK / DISPONIBLE EN ALMACEN / В НАЛИЧИЕ НА СКЛАДЕ / TERAZ DOSTĘPNE W MAGAZYNIE



Product details:

CEI no. **139.575**

Description: Gasket
Guarnizione
Joint
Junta

Weight: 0,043 Kg

Packaging: Thermo shrink pack 410x510 mm

Notes:

Catalogue Codes:

400.080

Suitable to:

Groups / Products

CAMBIO / GEARBOX / BOITE DE VITESSE / CAJA DE CAMBIO / КОРОБКА ПЕРЕДАЧ / SKRZYŃNIA BIEGÓW

Original manufacturers:

SCANIA

OEM no.

1302556

Versions:

GR801, GR801R, GRS890, GRS890R, GR900, GR900R, GRH900, GRS900, GRS900R, GRSH900, GRSH900R, GRS(O)900, GRS(O)900R, GRS920, GRS920R

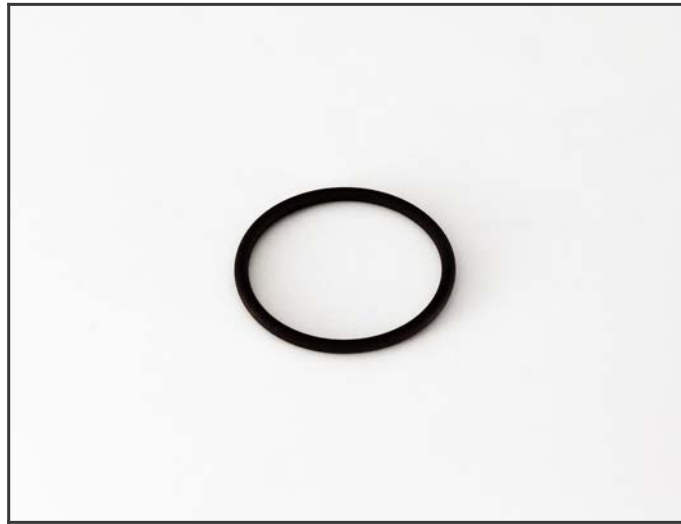
Applications:

Series 3, Series 4, Series P, Series G, Series R, Series T, Series 3 (Bus), Series 4 (Bus), Series F (Bus), Series K (Bus), Series N (Bus)



CEI NEWS

NOW AVAILABLE IN STOCK / DISPONIBILE A STOCK / DISPONIBLE EN STOCK / DISPONIBLE EN ALMACEN / В НАЛИЧИЕ НА СКЛАДЕ / TERAZ DOSTĘPNE W MAGAZYNIE



Product details:

CEI no. **139.814**

Description: O-Ring
Anello OR
Bague OR
Anillo OR

Weight: 0,010 Kg

Packaging: Plastic bag

Notes:

Catalogue Codes:

400.050

Suitable to:

Groups / Products

CAMBIO / GEARBOX / BOITE DE VITESSE / CAJA DE CAMBIO / КОРОБКА ПЕРЕДАЧ / SKRZYŃNIA BIEGÓW

Original manufacturers:

MERCEDES

OEM no.

014 997 5148

020 997 8648

Versions:

GO210-8 (R. 11,80-1,00), G155-9 (R. 15,90-1,00), G181-9, G221-9, G125-16 (R. 14,00-1,00), G135-16 (R. 11,90-1,00), G155-16 (R. 11,90-0,88), G155-16 (R. 14,00-1,00), G180-16 (R. 11,90-0,88), G180-16 (R. 14,00-1,00), G200-16 (R. 11,90), G210-16 (R. 14,20-0,83), G211-16, G230-16, G231-16, G240-16 (R. 11,70-0,69), G241-16 KL, G260-16, G280-16 KL

Applications:

NG, LK/LN2, MK, SK, MAXI ATEGO, AXOR, ACTROS 1, ACTROS 2/3, ACTROS 4 / ANTOS, AROCS, ECONIC, ZETROS, TOURISMO, TRAVEGO



CEI NEWS

NOW AVAILABLE IN STOCK / DISPONIBILE A STOCK / DISPONIBLE EN STOCK / DISPONIBLE EN ALMACEN / В НАЛИЧИЕ НА СКЛАДЕ / TERAZ DOSTĘPNE W MAGAZYNIE



Product details:

CEI no. **139.986**

Description: Gasket
Guarnizione
Joint
Junta

Weight: 0,235 Kg

Packaging: Thermo shrink pack 410x510 mm

Notes:

The package includes 2 pcs.

Catalogue Codes:

400.395

Suitable to:

Groups / Products

CAMBIO / GEARBOX / BOITE DE VITESSE / CAJA DE CAMBIO / КОРОБКА ПЕРЕДАЧ / SKRZYŃNIA BIEGÓW

Original manufacturers:

ZF

OEM no.

0501 322 837 (ZF)

42569773 (IVECO)

1823147 (DAF)

Models:

AS TRONIC MID

Versions:

12AS121, 12AS122, 12AS142, 12AS162, 12AS1210, 12AS1220,
12AS1420, 12AS1620



CEI NEWS

NOW AVAILABLE IN STOCK / DISPONIBILE A STOCK / DISPONIBLE EN STOCK / DISPONIBLE EN ALMACEN / В НАЛИЧИЕ НА СКЛАДЕ / TERAZ DOSTĘPNE W MAGAZYNIE



Product details:

CEI no. **147.341**

Description: Reverse gear
Ingranaggio R.M.
Engrenage de marche arrière
Engranaje inverso

Weight: 3,390 Kg

Packaging: Carton box 184x184x45 cm

Notes:

Catalogue Codes:

Suitable to:

Groups / Products

CAMBIO / GEARBOX / BOITE DE VITESSE / CAJA DE CAMBIO / КОРОБКА ПЕРЕДАЧ / SKRZYŃNIA BIEGÓW

Original manufacturers:

IVECO

OEM no.
8859094

Versions:

2895.9

Applications:

EUROCARGO, EUROTECH



CEI NEWS

NOW AVAILABLE IN STOCK / DISPONIBILE A STOCK / DISPONIBLE EN STOCK / DISPONIBLE EN ALMACEN / В НАЛИЧИЕ НА СКЛАДЕ / TERAZ DOSTĘPNE W MAGAZYNIE



Product details:

CEI no. **149.346**

Description: Shift block
Asta comando forcella
Colonnette
Esparrago

Weight: 0,740 Kg

Packaging: Plastic bag

Notes:

Catalogue Codes:

Suitable to:

Groups / Products

CAMBIO / GEARBOX / BOITE DE VITESSE / CAJA DE CAMBIO / КОРОБКА ПЕРЕДАЧ / SKRZYŃNIA BIEGÓW

Original manufacturers:

ZF

OEM no.

1324 334 004 (ZF)

42558196 (IVECO)

1825228 (DAF)

81 32518 0295 (MAN)

74 20 967 932 (RENAULT)

20967932 (VOLVO)

Models:

NEW ECOMID

Versions:

9S1110, 9S1310



CEI NEWS

NOW AVAILABLE IN STOCK / DISPONIBILE A STOCK / DISPONIBLE EN STOCK / DISPONIBLE EN ALMACEN / В НАЛИЧИЕ НА СКЛАДЕ / TERAZ DOSTĘPNE W MAGAZYNIE



Product details:

CEI no. **154.230**

Description: Sleeve
Manicotto
Manchon
Manguito

Weight: 1,272 Kg

Packaging: Carton box 222x222x45 mm

Notes:

Catalogue Codes:

Suitable to:

Groups / Products

CAMBIO / GEARBOX / BOITE DE VITESSE / CAJA DE CAMBIO / КОРОБКА ПЕРЕДАЧ / SKRZYŃNIA BIEGÓW

Original manufacturers:

ZF

OEM no.
1325 304 225 (ZF)
1893370 (DAF)

Models:
ECOSPLIT IV

Versions:
12S213, 12S2330, 12S2331



CEI NEWS

NOW AVAILABLE IN STOCK / DISPONIBILE A STOCK / DISPONIBLE EN STOCK / DISPONIBLE EN ALMACEN / В НАЛИЧИЕ НА СКЛАДЕ / TERAZ DOSTĘPNE W MAGAZYNIIE



Product details:

CEI no. **157.265**

Description: Wheel reduction sun gear
Ingranaggio solare riduttore ruota
Pignon solaire reducteur roue
Pinon solar reductor rueda

Weight: 1,360 Kg

Packaging: Carton box 105x105x55 mm

Notes:

Catalogue Codes:

400.055

Suitable to:

Groups / Products

DIFFERENZIALE / DIFFERENTIAL / DIFFERENTIEL / DIFERENCIAL / ДИФФЕРЕНЦИАЛ В СБОРЕ / MECHANIZM RÓŻNICOWY

Original manufacturers:

MAN

OEM no.

81 35113 0044

Versions:

HD7-13120, HD7-16120, HD9-13120, HD9-16120, H7-13120, H7-16120, H9-13120, H9-16120

Applications:

F 90, E 2000, F 2000, TGA, LOW ENTRY, OLD Range



CEI NEWS

NOW AVAILABLE IN STOCK / DISPONIBILE A STOCK / DISPONIBLE EN STOCK / DISPONIBLE EN ALMACEN / В НАЛИЧИЕ НА СКЛАДЕ / TERAZ DOSTĘPNE W MAGAZYNIE



Product details:

CEI no. **157.295**

Description: Synchronizer hub
Mozzo sincronizzatore
Moyeu de synchro
Buje sincronizador

Weight: 1,184 Kg

Packaging: Carton box 132x132x30 mm

Notes:

Catalogue Codes:

Suitable to:

Groups / Products

CAMBIO / GEARBOX / BOITE DE VITESSE / CAJA DE CAMBIO / КОРОБКА ПЕРЕДАЧ / SKRZYŃNIA BIEGÓW

Original manufacturers:

IVECO

OEM no.
8871186

Versions:
2855.5, 2855.6

Applications:
EUROCARGO



CEI NEWS

NOW AVAILABLE IN STOCK / DISPONIBILE A STOCK / DISPONIBLE EN STOCK / DISPONIBLE EN ALMACEN / В НАЛИЧИЕ НА СКЛАДЕ / TERAZ DOSTĘPNE W MAGAZYNIE



Product details:

CEI no. **157.319**

Description: Synchronizer hub
Mozzo sincronizzatore
Moyeu de synchro
Buje sincronizador

Weight: 2,518 Kg

Packaging: Carton box 193x193x30 mm

Notes:

Catalogue Codes:

Suitable to:

Groups / Products

CAMBIO / GEARBOX / BOITE DE VITESSE / CAJA DE CAMBIO / КОРОБКА ПЕРЕДАЧ / SKRZYŃNIA BIEGÓW

Original manufacturers:

ZF

OEM no.
1325 304 226

Models:
ECOSPLIT IV



CEI NEWS

NOW AVAILABLE IN STOCK / DISPONIBILE A STOCK / DISPONIBLE EN STOCK / DISPONIBLE EN ALMACEN / В НАЛИЧИЕ НА СКЛАДЕ / TERAZ DOSTĘPNE W MAGAZYNIIE



Product details:

CEI no. **160.262**

Description: Dowel pin
Spina
Tige cylindrique
Pasador

Weight: 0,022 Kg

Packaging: Plastic bag

Notes:

The package includes 3 pcs.

Catalogue Codes:

Suitable to:

Groups / Products

CAMBIO / GEARBOX / BOITE DE VITESSE / CAJA DE CAMBIO / КОРОБКА ПЕРЕДАЧ / SKRZYŃNIA BIEGÓW

Original manufacturers:

ZF

OEM no.

0731 201 698 (ZF)

42549347 (IVECO)

1615765 (DAF)

81 91301 0182 (MAN)

50 01 853 906 (RENAULT)

Models:

AS TRONIC, TC TRONIC

Versions:

10AS2010, 10AS2301, 10AS2310, 12AS1630, 12AS1631, 12AS1800,
12AS1930, 12AS1931, 12AS1935, 12AS2000, 12AS2001, 12AS2130,
12AS2131, 12AS2140, 12AS2141, 12AS2300, 12AS2301, 12AS2330,
12AS2331, 12AS2335, 12AS2340, 12AS2341, 12AS2501, 12AS2540,
12AS2541, 12AS2740, 12AS2741, 12AS2745, 12AS2940, 12AS2941,
12AS3000, 12AS3001, 12AS3040, 12AS3041, 12AS3140, 12AS3141,
16AS2200, 16AS2230, 16AS2231, 16AS2601, 16AS2630, 16AS2631,
16AS2635, 12TC2540, 12TC2740



CEI NEWS

NOW AVAILABLE IN STOCK / DISPONIBILE A STOCK / DISPONIBLE EN STOCK / DISPONIBLE EN ALMACEN / В НАЛИЧИЕ НА СКЛАДЕ / TERAZ DOSTĘPNE W MAGAZYNIE



Product details:

CEI no. **160.263**

Description: Dowel pin
Spina
Tige cylindrique
Pasador

Weight: 0,018 Kg

Packaging: Plastic bag

Notes:

The package includes 3 pcs.

Catalogue Codes:

Suitable to:

Groups / Products

CAMBIO / GEARBOX / BOITE DE VITESSE / CAJA DE CAMBIO / КОРОБКА ПЕРЕДАЧ / SKRZYŃNIA BIEGÓW

Original manufacturers:

ZF

OEM no.

0731 201 699 (ZF)

1615768 (DAF)

81 91301 0183 (MAN)

50 01 853 909 (RENAULT)

42549350 (ASTRA)

Models:

AS TRONIC, TC TRONIC

Versions:

10AS2010, 10AS2301, 10AS2310, 12AS1630, 12AS1631, 12AS1800,
12AS1930, 12AS1931, 12AS1935, 12AS2000, 12AS2001, 12AS2130,
12AS2131, 12AS2140, 12AS2141, 12AS2300, 12AS2301, 12AS2330,
12AS2331, 12AS2335, 12AS2340, 12AS2341, 12AS2501, 12AS2540,
12AS2541, 12AS2740, 12AS2741, 12AS2745, 12AS2940, 12AS2941,
12AS3000, 12AS3001, 12AS3040, 12AS3041, 12AS3140, 12AS3141,
16AS2200, 16AS2230, 16AS2231, 16AS2601, 16AS2630, 16AS2631,
16AS2635, 12TC2540, 12TC2740



CEI NEWS

NOW AVAILABLE IN STOCK / DISPONIBILE A STOCK / DISPONIBLE EN STOCK / DISPONIBLE EN ALMACEN / В НАЛИЧИЕ НА СКЛАДЕ / TERAZ DOSTĘPNE W MAGAZYNIIE



Product details:

CEI no. **160.409**

Description: Plunger
Tassello
Bloquer
Bloquear

Weight: 0,021 Kg

Packaging: Plastic bag

Notes:

The package includes 2 pcs.

Catalogue Codes:

Suitable to:

Groups / Products

CAMBIO / GEARBOX / BOITE DE VITESSE / CAJA DE CAMBIO / КОРОБКА ПЕРЕДАЧ / SKRZYŃNIA BIEGÓW

Original manufacturers:

VOLVO

OEM no.

8171700 (VOLVO)

74 08 171 700 (RENAULT)

Versions:

VT2009B, VT2214B, VT2514B, VT2814B, VTO2214B, VTO2514B, VTO2814B

Applications:

FM7, FM9, FM12, FH12, FH16, NH12, FH



CEI NEWS

NOW AVAILABLE IN STOCK / DISPONIBILE A STOCK / DISPONIBLE EN STOCK / DISPONIBLE EN ALMACEN / В НАЛИЧИЕ НА СКЛАДЕ / TERAZ DOSTĘPNE W MAGAZYNIE



Product details:

CEI no. **169.245**

Description: Thrust washer
Rasamento
Rondelle butee
Arandela

Weight: 0,164 Kg

Packaging: Plastic bag

Notes:

Catalogue Codes:

400.055

Suitable to:

Groups / Products

DIFFERENZIALE / DIFFERENTIAL / DIFFERENTIEL / DIFERENCIAL / ДИФФЕРЕНЦИАЛ В СБОРЕ / MECHANIZM RÓŻNICOWY

Original manufacturers:

MERCEDES - MAN

OEM no.

346 336 0062 (MERCEDES)

81 90711 0890 (MAN)

Versions:

HD7-1080, HD7-1180, HD7-1380, HD9-1080, HD9-1180, HD9-1380,
HD7-13120, HD7-16120, HD9-13120, HD9-16120, H7-1080, H7-1180,
H7-1380, H9-1080, H9-1180, H9-1380, H7-13120, H7-16120, H9-13120,
H9-16120 (MAN)

Applications:

M 90, F 90, L 2000, M 2000, E 2000, F 2000, TGA, LOW ENTRY, OLD
Range (MAN)



CEI NEWS

NOW AVAILABLE IN STOCK / DISPONIBILE A STOCK / DISPONIBLE EN STOCK / DISPONIBLE EN ALMACEN / В НАЛИЧИЕ НА СКЛАДЕ / TERAZ DOSTĘPNE W MAGAZYNIE



Product details:

CEI no. **170.346**

Description: Distribution drive shaft
Semi-asse ripartitore
Demi-essieu de distribution
Semi-eje de la distribución

Weight: 6,720 Kg

Packaging: Carton box 105x105x430 mm

Notes:

Catalogue Codes:

400.055

Suitable to:

Groups / Products

DIFFERENZIALE / DIFFERENTIAL / DIFFERENTIEL / DIFERENCIAL / ДИФФЕРЕНЦИАЛ В СБОРЕ / MECHANIZM RÓŻNICOWY

Original manufacturers:

MAN

OEM no.

81 35604 0029

Versions:

HPD-1372E, HPD-1382, HPD-1682

Applications:

TGA, TGS, TGX



CEI NEWS

NOW AVAILABLE IN STOCK / DISPONIBILE A STOCK / DISPONIBLE EN STOCK / DISPONIBLE EN ALMACEN / В НАЛИЧИЕ НА СКЛАДЕ / TERAZ DOSTĘPNE W MAGAZYNIE



Product details:

CEI no. **171.028**

Description: Needle D.5X19,5
Rullino D.5X19,5
Galet D.5X19,5
Rodillo D.5X19,5

Weight: 0,004 Kg

Packaging: Plastic bag

Notes:
The package includes 180 pcs.

Catalogue Codes:
-

Suitable to:

Groups / Products

CAMBIO / GEARBOX / BOITE DE VITESSE / CAJA DE CAMBIO / КОРОБКА ПЕРЕДАЧ / SKRZYŃNIA BIEGÓW

Original manufacturers:

EATON - FULLER

OEM no.

8876968 (EATON - FULLER)

42558056 (IVECO)

1456269 (DAF)

001 981 6187 (MERCEDES)

Models:

EATON Mid range (9 Speeds)

Versions:

FS 6309, FSO 6309, 8309, FS 8309, FSO 8309



CEI NEWS

NOW AVAILABLE IN STOCK / DISPONIBILE A STOCK / DISPONIBLE EN STOCK / DISPONIBLE EN ALMACEN / В НАЛИЧИЕ НА СКЛАДЕ / TERAZ DOSTĘPNE W MAGAZYNIE



Product details:

CEI no. **175.447**

Description: Differential support housing
Scatola supporto differenziale
Carter support différentiel
Caja soporte de diferencial

Weight: 66,715 Kg

Packaging: Wooden Case 52x51x45 cm

Notes:

Catalogue Codes:

400.080

Suitable to:

Groups / Products

DIFFERENZIALE / DIFFERENTIAL / DIFFERENTIEL / DIFERENCIAL / ДИФФЕРЕНЦИАЛ В СБОРЕ / MECHANIZM RÓŻNICOWY

Original manufacturers:

SCANIA

OEM no.
1408202

Versions:

RBP835

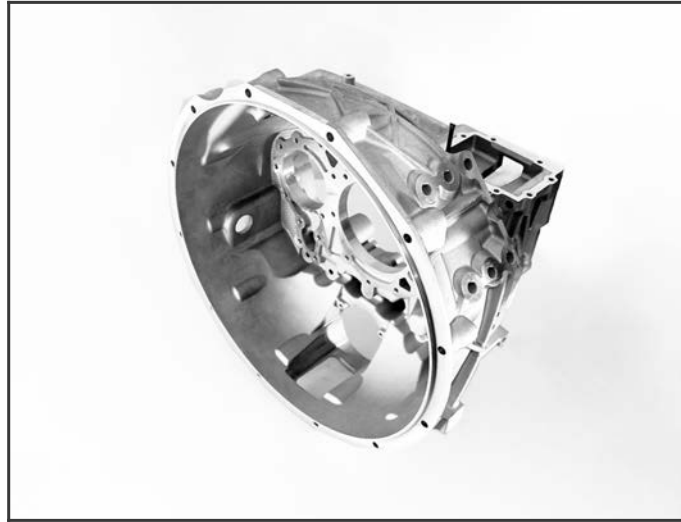
Applications:

Series 4, Series P, Series G, Series R, Series T



CEI NEWS

NOW AVAILABLE IN STOCK / DISPONIBILE A STOCK / DISPONIBLE EN STOCK / DISPONIBLE EN ALMACEN / В НАЛИЧИЕ НА СКЛАДЕ / TERAZ DOSTĘPNE W MAGAZYNIE



Product details:

CEI no. **175.511**

Description: Gearbox Housing
Scatola cambio parte anteriore
Carter de boite
Caja de cambio

Weight: 22,800 Kg

Packaging: Wooden Case

Notes:

Catalogue Codes:

Suitable to:

Groups / Products

CAMBIO / GEARBOX / BOITE DE VITESSE / CAJA DE CAMBIO / КОРОБКА ПЕРЕДАЧ / SKRZYŃNIA BIEGÓW

Original manufacturers:

ZF

OEM no.

1316 201 142 (ZF)

42535851 (IVECO)

1427603 (DAF)

81 30101 0169 (MAN)

50 01 853 601 (RENAULT)

123188 (ASTRA)

Models:

NEW ECOSPLIT III

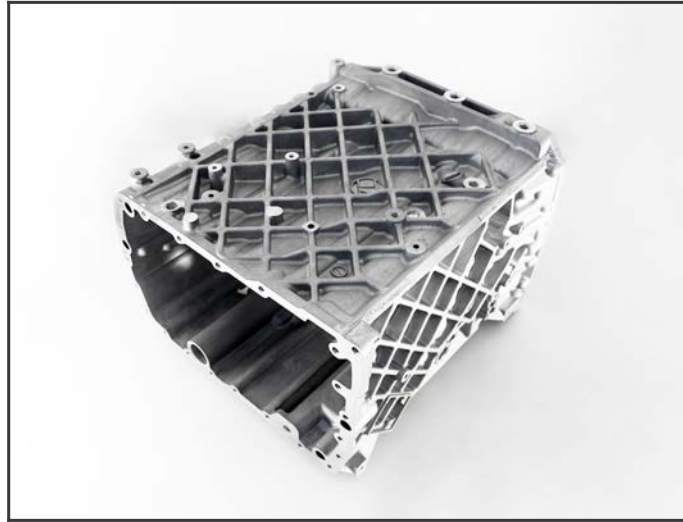
Versions:

16S162, 16S1620, 16S1621, 16S1625



CEI NEWS

NOW AVAILABLE IN STOCK / DISPONIBILE A STOCK / DISPONIBLE EN STOCK / DISPONIBLE EN ALMACEN / В НАЛИЧИЕ НА СКЛАДЕ / TERAZ DOSTĘPNE W MAGAZYNIE



Product details:

CEI no. **175.513**

Description: Gearbox Housing
Scatola cambio parte centrale
Carter de boîte
Caja de cambio

Weight: 38,400 Kg

Packaging: Plastic bag

Notes:

Catalogue Codes:

Suitable to:

Groups / Products

CAMBIO / GEARBOX / BOITE DE VITESSE / CAJA DE CAMBIO / КОРОБКА ПЕРЕДАЧ / SKRZYŃNIA BIEGÓW

Original manufacturers:

ZF

OEM no.

1316 201 139 (ZF)

81 32101 0311 (MAN)

Models:

ECOSPLIT III

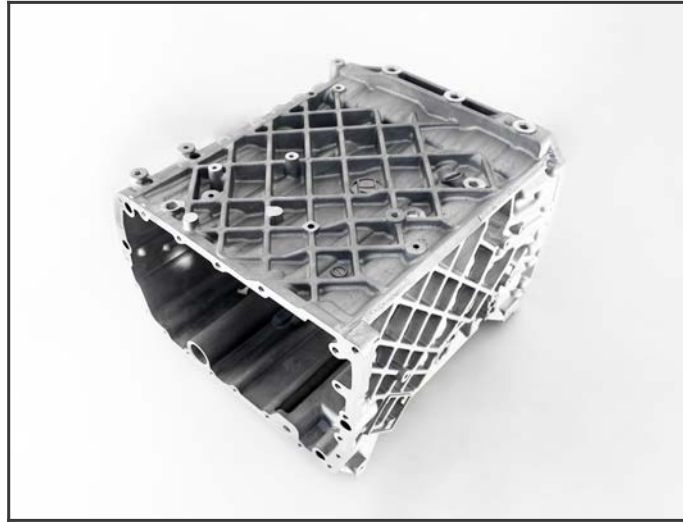
Versions:

16S181, 16S221, 16S251



CEI NEWS

NOW AVAILABLE IN STOCK / DISPONIBILE A STOCK / DISPONIBLE EN STOCK / DISPONIBLE EN ALMACEN / В НАЛИЧИЕ НА СКЛАДЕ / TERAZ DOSTĘPNE W MAGAZYNIE



Product details:

CEI no. **175.518**

Description: Gearbox Housing
Scatola cambio parte centrale
Carter de boîte
Caja de cambio

Weight: 38,400 Kg

Packaging: Plastic bag

Notes:

Catalogue Codes:

Suitable to:

Groups / Products

CAMBIO / GEARBOX / BOITE DE VITESSE / CAJA DE CAMBIO / КОРОБКА ПЕРЕДАЧ / SKRZYŃNIA BIEGÓW

Original manufacturers:

ZF

OEM no.

1316 201 110 (ZF)

42534698 (IVECO)

1635031 (DAF)

81 32101 0316 (MAN)

50 01 853 602 (RENAULT)

Models:

ECOSPLIT III

Versions:

16S181, 16S221, 16S222, 16S251



CEI NEWS

NOW AVAILABLE IN STOCK / DISPONIBILE A STOCK / DISPONIBLE EN STOCK / DISPONIBLE EN ALMACEN / В НАЛИЧИЕ НА СКЛАДЕ / TERAZ DOSTĘPNE W MAGAZYNIE



Product details:

CEI no. **175.555**

Description: Differential half housing
Semiscatola differenziale
Demi-carter différentiel
Semi-caja diferencial

Weight: 3,172 Kg

Packaging: Carton box 212x212x98 mm

Notes:

Catalogue Codes:

Suitable to:

Groups / Products

DIFFERENZIALE / DIFFERENTIAL / DIFFERENTIEL / DIFERENCIAL / ДИФФЕРЕНЦИАЛ В СБОРЕ / MECHANIZM RÓŻNICOWY

Original manufacturers:

IVECO

OEM no.
7177638

Versions:

L.Duty (Ø 240)

Applications:

DAILY



CEI NEWS

NOW AVAILABLE IN STOCK / DISPONIBILE A STOCK / DISPONIBLE EN STOCK / DISPONIBLE EN ALMACEN / В НАЛИЧИЕ НА СКЛАДЕ / TERAZ DOSTĘPNE W MAGAZYNIE



Product details:

CEI no. **175.599**

Description: Differential housing assy
Scatola differenziale completa
Carter différentiel complet
Caja de diferencial completa

Weight: 18,668 Kg

Packaging: Carton box 263x263x335 mm

Notes:

Catalogue Codes:

Suitable to:

Groups / Products

DIFFERENZIALE / DIFFERENTIAL / DIFFERENTIEL / DIFERENCIAL / ДИФФЕРЕНЦИАЛ В СБОРЕ / MECHANIZM RÓŻNICOWY

Original manufacturers:

MERCEDES

OEM no.

905 350 0700

905 350 0123

Versions:

HA 6T

Applications:

SPRINTER



CEI NEWS

NOW AVAILABLE IN STOCK / DISPONIBILE A STOCK / DISPONIBLE EN STOCK / DISPONIBLE EN ALMACEN / В НАЛИЧИЕ НА СКЛАДЕ / TERAZ DOSTĘPNE W MAGAZYNI



Product details:

CEI no. **188.242**

Description: Magnet
Magnete
Aimant
Iman

Weight: 0,006 Kg

Packaging: Plastic bag

Notes:

Catalogue Codes:

400.050

Suitable to:

Groups / Products

CAMBIO / GEARBOX / BOITE DE VITESSE / CAJA DE CAMBIO / КОРОБКА ПЕРЕДАЧ / SKRZYŃNIA BIEGÓW

Original manufacturers:

MERCEDES

OEM no.

000 543 5785

000 543 5485

000 543 5185

Versions:

G211-12 KL, G230-12 KL, G281-12 KL, G330-12 KL, G210-16 (R. 14,20-0,83), G211-16, G230-16, G231-16, G241-16 KL, G260-16, G280-16 KL

Applications:

MK, SK, ATEGO, MAXI ATEGO, AXOR, ACTROS 1, ACTROS 2/3, ACTROS 4 / ANTOS, AROCS, ECONIC



CEI NEWS

NOW AVAILABLE IN STOCK / DISPONIBILE A STOCK / DISPONIBLE EN STOCK / DISPONIBLE EN ALMACEN / В НАЛИЧИЕ НА СКЛАДЕ / TERAZ DOSTĘPNE W MAGAZYNIE



Product details:

CEI no. **190.588**

Description: Main Shaft
Albero primario
Arbre primaire
Arbol primario

Weight: 9,300 Kg

Packaging: Carton box 384x91x94 mm

Notes:

Catalogue Codes:

Suitable to:

Groups / Products

CAMBIO / GEARBOX / BOITE DE VITESSE / CAJA DE CAMBIO / КОРОБКА ПЕРЕДАЧ / SKRZYŃNIA BIEGÓW

Original manufacturers:

EATON - FULLER

OEM no.
4303649

Versions:
RTLO-18913A



CEI NEWS

NOW AVAILABLE IN STOCK / DISPONIBILE A STOCK / DISPONIBLE EN STOCK / DISPONIBLE EN ALMACEN / В НАЛИЧИЕ НА СКЛАДЕ / TERAZ DOSTĘPNE W MAGAZYNIE



Product details:

CEI no. **190.594**

Description: Gearbox red. planetary carrier assy
Portasatelliti ridutt. cambio cpl.
Gearbox red. planetary carrier assy

Weight: 27,600 Kg

Packaging: Carton box 263x263x335 mm

Notes:

Catalogue Codes:

Suitable to:

Groups / Products

CAMBIO / GEARBOX / BOITE DE VITESSE / CAJA DE CAMBIO / КОРОБКА ПЕРЕДАЧ / SKRZYŃNIA BIEGÓW

Original manufacturers:

VOLVO

OEM no.
22502050
20866364

Versions:

VT2009B, VT2214B, VT2514B, VT2814B, VTO2214B, VTO2514B, VTO2814B

Applications:

FM7, FM9, FM12, FH12, FH16, NH12, FH



CEI NEWS

NOW AVAILABLE IN STOCK / DISPONIBILE A STOCK / DISPONIBLE EN STOCK / DISPONIBLE EN ALMACEN / В НАЛИЧИЕ НА СКЛАДЕ / TERAZ DOSTĘPNE W MAGAZYNIE



Product details:

CEI no. **194.802**

Description: Crown & Pinion 14x39 R.=1:2,79
Coppia conica 14x39 R.=1:2,79
Couple conique 14x39 R.=1:2,79
Par conico 14x39 R.=1:2,79

Weight: 61,200 Kg

Packaging: Wooden Case 70x48x23 cm

Notes:

Catalogue Codes:

400.090

Suitable to:

Groups / Products

DIFFERENZIALE / DIFFERENTIAL / DIFFERENTIEL / DIFERENCIAL / ДИФФЕРЕНЦИАЛ В СБОРЕ / MECHANIZM RÓŻNICOWY

Original manufacturers:

VOLVO

OEM no.
20506491
1524571

Versions:

EV90, EV91, RS1356SV

Applications:

F10, F12, F16, N10, N12, FL7, FL10, FL12, FM7, FM9, FM10, FM12, FH12, FH16, NL10, NL12, B10, B12

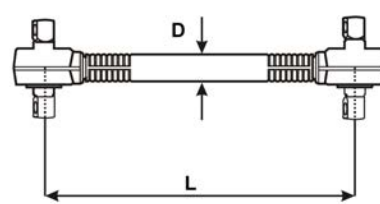


CEI NEWS

NOW AVAILABLE IN STOCK / DISPONIBILE A STOCK / DISPONIBLE EN STOCK / DISPONIBLE EN ALMACEN / В НАЛИЧИЕ НА СКЛАДЕ / TERAZ DOSTĘPNE W MAGAZYNIE



Technical Data



D	mm	29
L	mm	635

Product details:

CEI no. **225.222**

Description: Reaction rod
Barra reazione diritta
Barre de réaction
Barra reacci3n

Weight: 4,830 Kg

Packaging: Plastic bag

Notes:

Catalogue Codes:

Suitable to:

Groups / Products

BARRE SOSPENSIONE / SUSPENSION RODS / BARRES DE SUSPENSION / BARRAS SUSPENS3N

Original manufacturers:

IVECO

OEM no.
99458576
93163964

Applications:

EUROCARGO



CEI NEWS

NOW AVAILABLE IN STOCK / DISPONIBILE A STOCK / DISPONIBLE EN STOCK / DISPONIBLE EN ALMACEN / В НАЛИЧИЕ НА СКЛАДЕ / TERAZ DOSTĘPNE W MAGAZYNIE



Product details:

CEI no. **239.014**

Description: Gasket
Guarnizione
Joint
Junta

Weight: 0,053 Kg

Packaging: Thermo shrink pack 410x510 mm

Notes:

Catalogue Codes:

403.195

Suitable to:

Groups / Products

CAMBIO / GEARBOX / BOITE DE VITESSE / CAJA DE CAMBIO / КОРОБКА ПЕРЕДАЧ / SKRZYŃNIA BIEGÓW

Original manufacturers:

ZF

OEM no.

0501 331 906 (ZF)

42569323 (IVECO)

81 47901 0007 (MAN)

Models:

ECOSPLIT IV, AS TRONIC, TC TRONIC, TRAXON

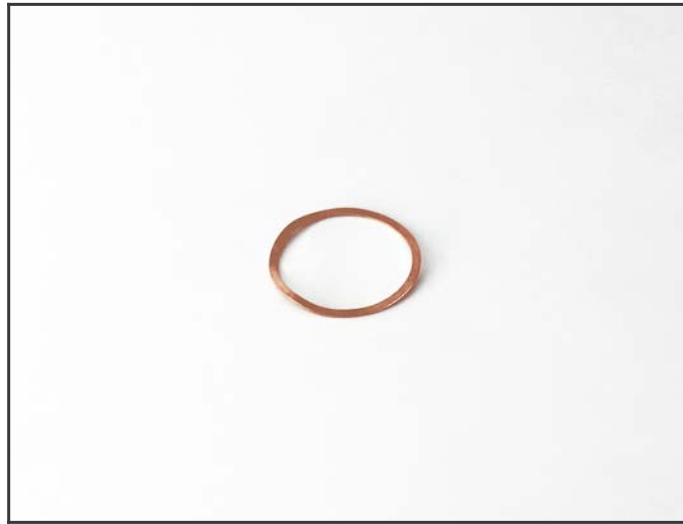
Versions:

-



CEI NEWS

NOW AVAILABLE IN STOCK / DISPONIBILE A STOCK / DISPONIBLE EN STOCK / DISPONIBLE EN ALMACEN / В НАЛИЧИЕ НА СКЛАДЕ / TERAZ DOSTĘPNE W MAGAZYNIE



Product details:

CEI no. **239.225**

Description: Gasket
Guarnizione
Joint
Junta

Weight: 0,980 Kg

Packaging: Plastic bag

Notes:

Suitable to:

Groups / Products

CAMBIO / GEARBOX / BOITE DE VITESSE / CAJA DE CAMBIO / КОРОБКА ПЕРЕДАЧ / SKRZYŃNIA BIEGÓW

Original manufacturers:

IVECO

OEM no.
10296860

Versions:
2870.9, 2895.9

Applications:
EUROCARGO, EUROTECH

Catalogue Codes:



CEI NEWS

NOW AVAILABLE IN STOCK / DISPONIBILE A STOCK / DISPONIBLE EN STOCK / DISPONIBLE EN ALMACEN / В НАЛИЧИЕ НА СКЛАДЕ / TERAZ DOSTĘPNE W MAGAZYNIE



Product details:

CEI no. **239.283**

Description: Gasket
Guarnizione
Joint
Junta

Weight: 0,198 Kg

Packaging: Thermo shrink pack 410x510 mm

Notes:

Catalogue Codes:

Suitable to:

Groups / Products

CAMBIO / GEARBOX / BOITE DE VITESSE / CAJA DE CAMBIO / КОРОБКА ПЕРЕДАЧ / SKRZYŃNIA BIEGÓW

Original manufacturers:

ZF

OEM no.

0501 321 879 (ZF)

1746757 (DAF)

74 20 852 844 (RENAULT)

20852844 (VOLVO)

Models:

NEW ECOMID

Versions:

9S1110, 9S1310



CEI NEWS

NOW AVAILABLE IN STOCK / DISPONIBILE A STOCK / DISPONIBLE EN STOCK / DISPONIBLE EN ALMACEN / В НАЛИЧИЕ НА СКЛАДЕ / TERAZ DOSTĘPNE W MAGAZYNIE



Product details:

CEI no. **239.325**

Description: Gasket
Guarnizione
Joint
Junta

Weight: 0,050 Kg

Packaging: Thermo shrink pack 500x750 mm

Notes:

Catalogue Codes:

Suitable to:

Groups / Products

CAMBIO / GEARBOX / BOITE DE VITESSE / CAJA DE CAMBIO / КОРОБКА ПЕРЕДАЧ / SKRZYŃNIA BIEGÓW

Original manufacturers:

ZF

OEM no.
0501 322 836

Models:
AS TRONIC MID

Versions:

12AS121, 12AS122, 12AS142, 12AS162, 12AS1210, 12AS1220,
12AS1420, 12AS1620



CEI NEWS

NOW AVAILABLE IN STOCK / DISPONIBILE A STOCK / DISPONIBLE EN STOCK / DISPONIBLE EN ALMACEN / В НАЛИЧИЕ НА СКЛАДЕ / TERAZ DOSTĘPNE W MAGAZYNIE



Product details:

CEI no. **239.344**

Description: Oil Seal
Paraolio
Bague etancheite
Reten aceite

Weight: 0,012 Kg

Packaging: Plastic bag

Notes:

Catalogue Codes:

Suitable to:

Groups / Products

CAMBIO / GEARBOX / BOITE DE VITESSE / CAJA DE CAMBIO / КОРОБКА ПЕРЕДАЧ / SKRZYŃNIA BIEGÓW

Original manufacturers:

VOLVO

OEM no.

3152527 (VOLVO)

74 03 152 527 (RENAULT)

Versions:

VT2009B, VT2214B, VT2514B, VT2814B, VTO2214B, VTO2514B, VTO2814B

Applications:

FM7, FM9, FM12, FH12, FH16, NH12, FH



CEI NEWS

NOW AVAILABLE IN STOCK / DISPONIBILE A STOCK / DISPONIBLE EN STOCK / DISPONIBLE EN ALMACEN / В НАЛИЧИЕ НА СКЛАДЕ / TERAZ DOSTĘPNE W MAGAZYNIE



Product details:

CEI no. **239.345**

Description: Oil Seal
Paraolio
Bague etancheite
Reten aceite

Weight: 0,008 Kg

Packaging: Plastic bag

Notes:

Catalogue Codes:

Suitable to:

Groups / Products

CAMBIO / GEARBOX / BOITE DE VITESSE / CAJA DE CAMBIO / КОРОБКА ПЕРЕДАЧ / SKRZYŃNIA BIEGÓW

Original manufacturers:

VOLVO

OEM no.

8171450 (VOLVO)

74 08 171 450 (RENAULT)

Versions:

VT2009B, VT2214B, VT2514B, VT2814B, VTO2214B, VTO2514B, VTO2814B

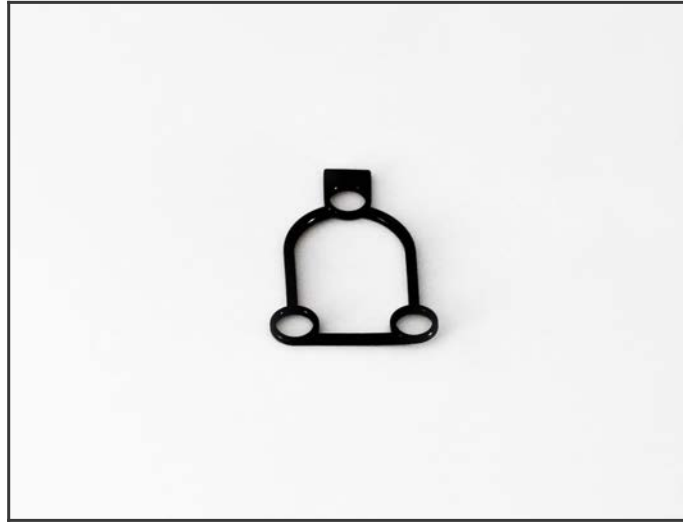
Applications:

FM7, FM9, FM12, FH12, FH16, NH12, FH



CEI NEWS

NOW AVAILABLE IN STOCK / DISPONIBILE A STOCK / DISPONIBLE EN STOCK / DISPONIBLE EN ALMACEN / В НАЛИЧИЕ НА СКЛАДЕ / TERAZ DOSTĘPNE W MAGAZYNIE



Product details:

CEI no. **239.350**

Description: Gasket
Guarnizione
Joint
Junta

Weight: 0,002 Kg

Packaging: Plastic bag

Notes:
The package includes 5 pcs.

Suitable to:

Groups / Products

CAMBIO / GEARBOX / BOITE DE VITESSE / CAJA DE CAMBIO / КОРОБКА ПЕРЕДАЧ / SKRZYŃNIA BIEGÓW

Original manufacturers:

SCANIA

OEM no.
1762704

Versions:

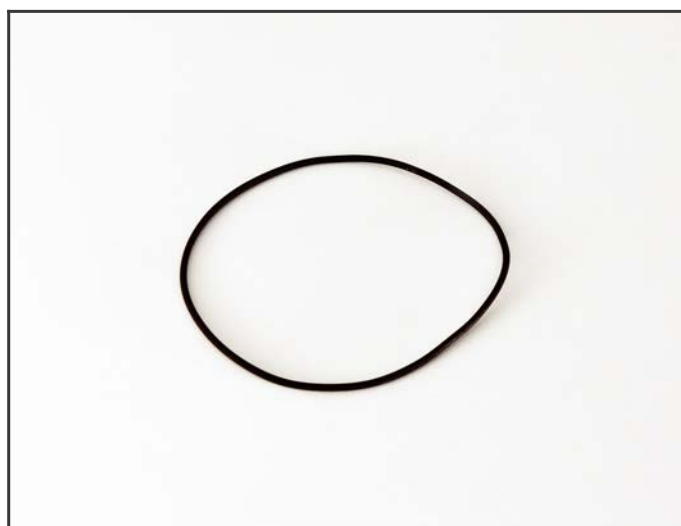
GR875R, GRS895R, GRS(O)895R, GR905R, GRS905R, GRS(O)905R,
GRS(O)925R

Catalogue Codes:



CEI NEWS

NOW AVAILABLE IN STOCK / DISPONIBILE A STOCK / DISPONIBLE EN STOCK / DISPONIBLE EN ALMACEN / В НАЛИЧИЕ НА СКЛАДЕ / TERAZ DOSTĘPNE W MAGAZYNIE



Product details:

CEI no. **239.351**

Description: O-Ring
Anello OR
Bague OR
Anillo OR

Weight: 0,006 Kg

Packaging: Plastic bag

Notes:

The package includes 2 pcs.

Catalogue Codes:

Suitable to:

Groups / Products

CAMBIO / GEARBOX / BOITE DE VITESSE / CAJA DE CAMBIO / КОРОБКА ПЕРЕДАЧ / SKRZYŃNIA BIEGÓW

Original manufacturers:

SCANIA

OEM no.

804725

811054

1339672

Versions:

GR801, GR801R, GRS890, GRS890R, GR900, GR900R, GRH900, GRS900, GRS900R, GRSH900, GRSH900R, GRS(O)900, GRS(O)900R, GRS920, GRS920R

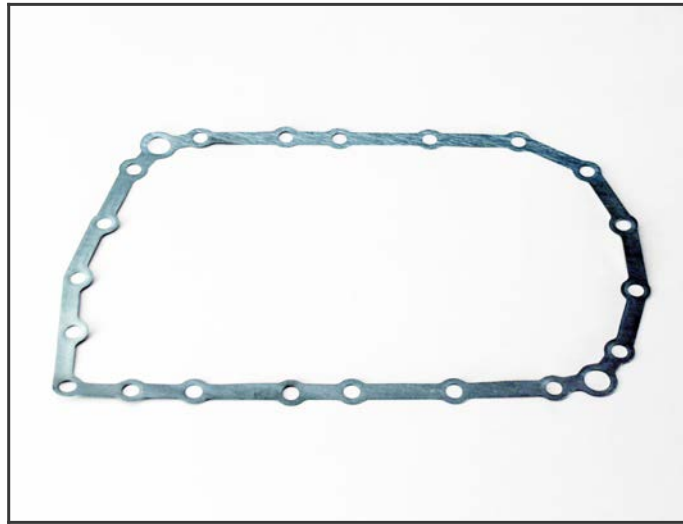
Applications:

Series 3, Series 4, Series P, Series G, Series R, Series T, Series 3 (Bus), Series 4 (Bus), Series F (Bus), Series K (Bus), Series N (Bus)



CEI NEWS

NOW AVAILABLE IN STOCK / DISPONIBILE A STOCK / DISPONIBLE EN STOCK / DISPONIBLE EN ALMACEN / В НАЛИЧИЕ НА СКЛАДЕ / TERAZ DOSTĘPNE W MAGAZYNIE



Product details:

CEI no. **239.355**

Description: Gasket
Guarnizione
Joint
Junta

Weight: 0,008 Kg

Packaging: Thermo shrink pack 410x510 mm

Notes:

The package includes 2 pcs.

Suitable to:

Groups / Products

CAMBIO / GEARBOX / BOITE DE VITESSE / CAJA DE CAMBIO / КОРОБКА ПЕРЕДАЧ / SKRZYŃNIA BIEGÓW

Original manufacturers:

ZF

OEM no.

1290 301 146 (ZF)

93160068 (IVECO)

1232036 (DAF)

000 265 1580 (MERCEDES)

81 32903 0148 (MAN)

50 00 813 775 (RENAULT)

Models:

ECOLITE

Versions:

S6-36, 6S850, 6S890

Catalogue Codes:



CEI NEWS

NOW AVAILABLE IN STOCK / DISPONIBILE A STOCK / DISPONIBLE EN STOCK / DISPONIBLE EN ALMACEN / В НАЛИЧИЕ НА СКЛАДЕ / TERAZ DOSTĘPNE W MAGAZYNIE



Product details:

CEI no. **239.362**

Description: Oil Seal
Paraolio
Bague etancheite
Reten aceite

Weight: 0,245 Kg

Packaging: Carton box

Notes:

Catalogue Codes:

Suitable to:

Groups / Products

DIFFERENZIALE / DIFFERENTIAL / DIFFERENTIEL / DIFERENCIAL / ДИФФЕРЕНЦИАЛ В СБОРЕ / MECHANIZM RÓŻNICOWY

Original manufacturers:

MERCEDES

OEM no.
013 997 3546

Versions:

HL6/HO6, HL8/HO8



CEI NEWS

NOW AVAILABLE IN STOCK / DISPONIBILE A STOCK / DISPONIBLE EN STOCK / DISPONIBLE EN ALMACEN / В НАЛИЧИЕ НА СКЛАДЕ / TERAZ DOSTĘPNE W MAGAZYNIE



Product details:

CEI no. **239.363**

Description: Oil Seal
Paraolio
Bague etancheite
Reten aceite

Weight: 0,160 Kg

Packaging: Carton box

Notes:

Suitable to:

Groups / Products

DIFFERENZIALE / DIFFERENTIAL / DIFFERENTIEL / DIFERENCIAL / ДИФФЕРЕНЦИАЛ В СБОРЕ / MECHANIZM RÓŻNICOWY

Original manufacturers:

MERCEDES

OEM no.
014 997 0546

Versions:

HL6/HO6, HL8/HO8

Catalogue Codes:



CEI NEWS

NOW AVAILABLE IN STOCK / DISPONIBILE A STOCK / DISPONIBLE EN STOCK / DISPONIBLE EN ALMACEN / В НАЛИЧИЕ НА СКЛАДЕ / TERAZ DOSTĘPNE W MAGAZYNIE



Product details:

CEI no. **244.274**

Description: Reverse Gear 44 T
Ingranaggio R.M. Z 44
Engrenage M.AR.44 D
Engranaje M.A. 44 D

Weight: 2,644 Kg

Packaging: Carton box 160x160x39 mm

Notes:

Catalogue Codes:
400.295

Suitable to:

Groups / Products

CAMBIO / GEARBOX / BOITE DE VITESSE / CAJA DE CAMBIO / КОРОБКА ПЕРЕДАЧ / SKRZYŃNIA BIEGÓW

Original manufacturers:

ZF

OEM no.
1307 304 650 (ZF)
42557183 (IVECO)
1609733 (DAF)
81 32302 0134 (MAN)
3099779 (VOLVO)

Models:
ECOLITE

Versions:
S5-42



CEI NEWS

NOW AVAILABLE IN STOCK / DISPONIBILE A STOCK / DISPONIBLE EN STOCK / DISPONIBLE EN ALMACEN / В НАЛИЧИЕ НА СКЛАДЕ / TERAZ DOSTĘPNE W MAGAZYNIE



Product details:

CEI no. **244.368**

Description: Gear
Ingranaggio
Engrenage
Engranaje

Weight: 3,550 Kg

Packaging: Carton box 153x153x72 mm

Notes:

Catalogue Codes:

403.195

Suitable to:

Groups / Products

CAMBIO / GEARBOX / BOITE DE VITESSE / CAJA DE CAMBIO / КОРОБКА ПЕРЕДАЧ / SKRZYŃNIA BIEGÓW

Original manufacturers:

ZF

OEM no.

1325 302 005 (ZF)

1904797 (IVECO)

Models:

ECOSPLIT IV

Versions:

12S2330, 12S233, 12S2331, 12S2333



CEI NEWS

NOW AVAILABLE IN STOCK / DISPONIBILE A STOCK / DISPONIBLE EN STOCK / DISPONIBLE EN ALMACEN / В НАЛИЧИЕ НА СКЛАДЕ / TERAZ DOSTĘPNE W MAGAZYNIE



Product details:

CEI no. **244.369**

Description: Gear
Ingranaggio
Engrenage
Engranaje

Weight: 5,462 Kg

Packaging: Carton box 178x178x92 mm

Notes:

Catalogue Codes:
403.195

Suitable to:

Groups / Products

CAMBIO / GEARBOX / BOITE DE VITESSE / CAJA DE CAMBIO / КОРОБКА ПЕРЕДАЧ / SKRZYŃNIA BIEGÓW

Original manufacturers:

ZF

OEM no.
1325 304 066 (ZF)
1904849 (DAF)

Models:
ECOSPLIT IV

Versions:
12S2330, 12S233, 12S2331, 12S2333



CEI NEWS

NOW AVAILABLE IN STOCK / DISPONIBILE A STOCK / DISPONIBLE EN STOCK / DISPONIBLE EN ALMACEN / В НАЛИЧИЕ НА СКЛАДЕ / TERAZ DOSTĘPNE W MAGAZYNIE



Product details:

CEI no. **244.372**

Description: Constant Gear
Ingranaggio costante
Engrenage constant
Engranaje constante

Weight: 8,482 Kg

Packaging: Carton box 212x212x98 mm

Notes:

Catalogue Codes:

403.195

Suitable to:

Groups / Products

CAMBIO / GEARBOX / BOITE DE VITESSE / CAJA DE CAMBIO / КОРОБКА ПЕРЕДАЧ / SKRZYŃNIA BIEGÓW

Original manufacturers:

ZF

OEM no.
1325 303 020 (ZF)
1904799 (DAF)

Models:
ECOSPLIT IV

Versions:
12S2330, 12S233, 12S2331, 12S2333



CEI NEWS

NOW AVAILABLE IN STOCK / DISPONIBILE A STOCK / DISPONIBLE EN STOCK / DISPONIBLE EN ALMACEN / В НАЛИЧИЕ НА СКЛАДЕ / TERAZ DOSTĘPNE W MAGAZYNIE



Product details:

CEI no. **244.374**

Description: Constant Gear
Ingranaggio costante
Engrenage constant
Engranaje constante

Weight: 5,494 Kg

Packaging: Carton box 134x134x150 mm

Notes:

Catalogue Codes:

403.195

Suitable to:

Groups / Products

CAMBIO / GEARBOX / BOITE DE VITESSE / CAJA DE CAMBIO / КОРОБКА ПЕРЕДАЧ / SKRZYŃNIA BIEGÓW

Original manufacturers:

ZF

OEM no.

1325 303 021 (ZF)

1904800 (DAF)

Models:

ECOSPLIT IV

Versions:

12S2330, 12S233, 12S2331, 12S2333



CEI NEWS

NOW AVAILABLE IN STOCK / DISPONIBILE A STOCK / DISPONIBLE EN STOCK / DISPONIBLE EN ALMACEN / В НАЛИЧИЕ НА СКЛАДЕ / TERAZ DOSTĘPNE W MAGAZYNIE



Product details:

CEI no. **244.466**

Description: Gear Z 41
Ingranaggio Z 41
Engrenage Z 41
Engranaje Z 41

Weight: 0,764 Kg

Packaging: Carton box 95x95x53 mm

Notes:

Catalogue Codes:

Suitable to:

Groups / Products

CAMBIO / GEARBOX / BOITE DE VITESSE / CAJA DE CAMBIO / КОРОБКА ПЕРЕДАЧ / SKRZYŃNIA BIEGÓW

Original manufacturers:

FIAT

OEM no.
55244554
55557498
55214118

Versions:

M40

Applications:

DUCATO



CEI NEWS

NOW AVAILABLE IN STOCK / DISPONIBILE A STOCK / DISPONIBLE EN STOCK / DISPONIBLE EN ALMACEN / В НАЛИЧИЕ НА СКЛАДЕ / TERAZ DOSTĘPNE W MAGAZYNIE



Product details:

CEI no. **244.467**

Description: Gear Z 44
Ingranaggio Z 44
Engrenage Z 44
Engranaje Z 44

Weight: 0,842 Kg

Packaging: Carton box 95x95x53 mm

Notes:

Catalogue Codes:

Suitable to:

Groups / Products

CAMBIO / GEARBOX / BOITE DE VITESSE / CAJA DE CAMBIO / КОРОБКА ПЕРЕДАЧ / SKRZYŃNIA BIEGÓW

Original manufacturers:

FIAT

OEM no.
55279521
55561129
55214120

Versions:

M40

Applications:

DUCATO



CEI NEWS

NOW AVAILABLE IN STOCK / DISPONIBILE A STOCK / DISPONIBLE EN STOCK / DISPONIBLE EN ALMACEN / В НАЛИЧИЕ НА СКЛАДЕ / TERAZ DOSTĘPNE W MAGAZYNIE



Product details:

CEI no. **269.643**

Description: Disk
Disco esterno
Disque
Disco

Weight: 0,145 Kg

Packaging: Plastic bag

Notes:
The package includes 8 pcs.

Suitable to:

Groups / Products

CAMBIO / GEARBOX / BOITE DE VITESSE / CAJA DE CAMBIO / КОРОБКА ПЕРЕДАЧ / SKRZYŃNIA BIEGÓW

Original manufacturers:

MERCEDES

OEM no.
945 264 0009

Versions:
G210-16 (R. 14,20-0,83)

Catalogue Codes:



CEI NEWS

NOW AVAILABLE IN STOCK / DISPONIBILE A STOCK / DISPONIBLE EN STOCK / DISPONIBLE EN ALMACEN / В НАЛИЧИЕ НА СКЛАДЕ / TERAZ DOSTĘPNE W MAGAZYNIE



Product details:

CEI no. **269.711**

Description: Spacer
Distanziale
Entretoise
Espesor

Weight: 0,490 Kg

Packaging: Plastic bag

Notes:

Catalogue Codes:

Suitable to:

Groups / Products

CAMBIO / GEARBOX / BOITE DE VITESSE / CAJA DE CAMBIO / КОРОБКА ПЕРЕДАЧ / SKRZYŃNIA BIEGÓW

Original manufacturers:

VOLVO

OEM no.

1652884 (VOLVO)

74 01 652 884 (RENAULT)

Versions:

VT2009B, VT2214B, VT2514B, VT2814B, VTO2214B, VTO2514B, VTO2814B

Applications:

FM7, FM9, FM12, FH12, FH16, NH12, FH



CEI NEWS

NOW AVAILABLE IN STOCK / DISPONIBILE A STOCK / DISPONIBLE EN STOCK / DISPONIBLE EN ALMACEN / В НАЛИЧИЕ НА СКЛАДЕ / TERAZ DOSTĘPNE W MAGAZYNIE



Product details:

CEI no. **280.878**

Description: Valve
Valvola
Valve
Valvula

Weight: 0,233 Kg

Packaging: Carton box

Notes:

Suitable to:

Groups / Products

CAMBIO / GEARBOX / BOITE DE VITESSE / CAJA DE CAMBIO / КОРОБКА ПЕРЕДАЧ / SKRZYŃNIA BIEGÓW

Original manufacturers:

ZF

OEM no.

1356 298 002 (ZF)

42567284 (IVECO)

1897663 (DAF)

81 32734 6045 (MAN)

74 21 884 344 (RENAULT)

21884344 (VOLVO)

Models:

ECOSPLIT III

Catalogue Codes:



CEI NEWS

NOW AVAILABLE IN STOCK / DISPONIBILE A STOCK / DISPONIBLE EN STOCK / DISPONIBLE EN ALMACEN / В НАЛИЧИЕ НА СКЛАДЕ / TERAZ DOSTĘPNE W MAGAZYNIE



Product details:

CEI no. **280.918**

Description: Oil filter
Filtro olio
Filtre à huile
Filtro de aceite

Weight: 0,018 Kg

Packaging: Plastic bag

Notes:

Catalogue Codes:

Suitable to:

Groups / Products

CAMBIO / GEARBOX / BOITE DE VITESSE / CAJA DE CAMBIO / КОРОБКА ПЕРЕДАЧ / SKRZYŃNIA BIEGÓW

Original manufacturers:

VOLVO - ZF

OEM no.

20853648 (VOLVO)

0501 318 802 (ZF)

Models:

AS TRONIC MID, AS TRONIC, TC TRONIC, TRAXON (ZF)

Versions:

-



CEI NEWS

NOW AVAILABLE IN STOCK / DISPONIBILE A STOCK / DISPONIBLE EN STOCK / DISPONIBLE EN ALMACEN / В НАЛИЧИЕ НА СКЛАДЕ / TERAZ DOSTĘPNE W MAGAZYNIE



Product details:

CEI no. **280.921**

Description: Oil Pump
Pompa olio
Pompe a huile
Bomba de aceite

Weight: 1,177 Kg

Packaging: Carton box 202x202x72 mm

Notes:

Catalogue Codes:

Suitable to:

Groups / Products

CAMBIO / GEARBOX / BOITE DE VITESSE / CAJA DE CAMBIO / КОРОБКА ПЕРЕДАЧ / SKRZYŃNIA BIEGÓW

Original manufacturers:

ZF

OEM no.

0501 004 551 (ZF)

93191265 (IVECO)

000 260 1690 (MERCEDES)

81 32563 0021 (MAN)

50 01 823 971 (RENAULT)

Models:

ECOMID, NEW ECOMID

Versions:

8S180, 8S2100



CEI NEWS

NOW AVAILABLE IN STOCK / DISPONIBILE A STOCK / DISPONIBLE EN STOCK / DISPONIBLE EN ALMACEN / В НАЛИЧИЕ НА СКЛАДЕ / TERAZ DOSTĘPNE W MAGAZYNIE



Product details:

CEI no. **294.031**

Description: Crown & Pinion 11X34 R.3,09
Coppia conica 11X34 R.3,09
Couple conique 11X34 R.3,09
Par conico 11X34 R.3,09

Weight: 44,200 Kg

Packaging: Wooden Case 70x46,5x22 cm

Notes:

Catalogue Codes:

400.090

Suitable to:

Groups / Products

DIFFERENZIALE / DIFFERENTIAL / DIFFERENTIEL / DIFERENCIAL / ДИФФЕРЕНЦИАЛ В СБОРЕ / MECHANIZM RÓŻNICOWY

Original manufacturers:

IVECO - VOLVO

OEM no.

42555616 (IVECO)

20508363 (VOLVO)

E654.M (MERITOR)

Versions:

MT150 (IVECO)

RTS2370A, RTS2370B (VOLVO)

Applications:

STRALIS, TRAKKER (IVECO)

FM9, FM12, FH12, FH16, NH12 (VOLVO)



CEI NEWS

NOW AVAILABLE IN STOCK / DISPONIBILE A STOCK / DISPONIBLE EN STOCK / DISPONIBLE EN ALMACEN / В НАЛИЧИЕ НА СКЛАДЕ / TERAZ DOSTĘPNE W MAGAZYNIE



Product details:

CEI no. **294.032**

Description: Crown & Pinion 10X34 R.3,40
Coppia conica 10X34 R.3,40
Couple conique 10X34 R.3,40
Par conico 10X34 R.3,40

Weight: 46,800 Kg

Packaging: Wooden Case 70x46,5x22 cm

Notes:

Catalogue Codes:

400.090

Suitable to:

Groups / Products

DIFFERENZIALE / DIFFERENTIAL / DIFFERENTIEL / DIFERENCIAL / ДИФФЕРЕНЦИАЛ В СБОРЕ / MECHANIZM RÓŻNICOWY

Original manufacturers:

IVECO - VOLVO

OEM no.

42554957 (IVECO)

20508364 (VOLVO)

E655.M (MERITOR)

Versions:

MT150 (IVECO)

RTS2370A, RTS2370B (VOLVO)

Applications:

STRALIS, TRAKKER (IVECO)

FM9, FM12, FH12, FH16, NH12 (VOLVO)



CEI NEWS

NOW AVAILABLE IN STOCK / DISPONIBILE A STOCK / DISPONIBLE EN STOCK / DISPONIBLE EN ALMACEN / В НАЛИЧИЕ НА СКЛАДЕ / TERAZ DOSTĘPNE W MAGAZYNIE



Product details:

CEI no. **294.389**

Description: Crown & Pinion 10x39 R.3,90
Coppia conica 10x39 R.3,90
Couple conique 10x39 R.3,90
Par conico 10x39 R.3,90

Weight: 17,990 Kg

Packaging: Carton box 327x327x199 mm

Notes:

Catalogue Codes:

400.055

Suitable to:

Groups / Products

DIFFERENZIALE / DIFFERENTIAL / DIFFERENTIEL / DIFERENCIAL / ДИФФЕРЕНЦИАЛ В СБОРЕ / MECHANIZM RÓŻNICOWY

Original manufacturers:

MAN

OEM no.
81 35199 6481

Versions:
HY-0645, HY-0745

Applications:
L 2000, M 2000



CEI NEWS

NOW AVAILABLE IN STOCK / DISPONIBILE A STOCK / DISPONIBLE EN STOCK / DISPONIBLE EN ALMACEN / В НАЛИЧИЕ НА СКЛАДЕ / TERAZ DOSTĘPNE W MAGAZYNIE



Product details:

CEI no. **294.390**

Description: Crown & Pinion 9x40 R.4,44
Coppia conica 9x40 R.4,44
Couple conique 9x40 R.4,44
Par conico 9x40 R.4,44

Weight: 18,836 Kg

Packaging: Carton box 327x327x199 mm

Notes:

Catalogue Codes:

400.055

Suitable to:

Groups / Products

DIFFERENZIALE / DIFFERENTIAL / DIFFERENTIEL / DIFERENCIAL / ДИФФЕРЕНЦИАЛ В СБОРЕ / MECHANIZM RÓŻNICOWY

Original manufacturers:

MAN

OEM no.

81 35199 6484

Versions:

HY-0645, HY-0745

Applications:

L 2000, M 2000



CEI NEWS

NOW AVAILABLE IN STOCK / DISPONIBILE A STOCK / DISPONIBLE EN STOCK / DISPONIBLE EN ALMACEN / В НАЛИЧИЕ НА СКЛАДЕ / TERAZ DOSTĘPNE W MAGAZYNIE



Product details:

CEI no. **294.589**

Description: Crown & Pinion 11x41 R.3,73
Coppia conica 11x41 R.3,73
Couple conique 11x41 R.3,73
Par conico 11x41 R.3,73

Weight: 28,204 Kg

Packaging: Carton box 392x392x173 mm

Notes:

Catalogue Codes:

Suitable to:

Groups / Products

DIFFERENZIALE / DIFFERENTIAL / DIFFERENTIEL / DIFERENCIAL / ДИФФЕРЕНЦИАЛ В СБОРЕ / MECHANIZM RÓŻNICOWY

Original manufacturers:

IVECO

OEM no.
42544355

Versions:
145E, 147E

Applications:
EUROCARGO



CEI NEWS

NOW AVAILABLE IN STOCK / DISPONIBILE A STOCK / DISPONIBLE EN STOCK / DISPONIBLE EN ALMACEN / В НАЛИЧИЕ НА СКЛАДЕ / TERAZ DOSTĘPNE W MAGAZYNIE



Product details:

CEI no. **294.594**

Description: Crown & Pinion 8x39 R.4,88
Coppia conica 8x39 R.4,88
Couple conique 8x39 R.4,88
Par conico 8x39 R.4,88

Weight: 24,974 Kg

Packaging: Carton box 392x392x173 mm

Notes:

Catalogue Codes:

Suitable to:

Groups / Products

DIFFERENZIALE / DIFFERENTIAL / DIFFERENTIEL / DIFERENCIAL / ДИФФЕРЕНЦИАЛ В СБОРЕ / MECHANIZM RÓŻNICOWY

Original manufacturers:

IVECO

OEM no.
503661329 (IVECO)
B41270-1 (MERITOR)

Versions:

145E, 147E

Applications:

EUROCARGO



CEI NEWS

NOW AVAILABLE IN STOCK / DISPONIBILE A STOCK / DISPONIBLE EN STOCK / DISPONIBLE EN ALMACEN / В НАЛИЧИЕ НА СКЛАДЕ / TERAZ DOSTĘPNE W MAGAZYNIE



Product details:

CEI no. **294.607**

Description: Crown & Pinion 10X34 R.3,40
Coppia conica 10X34 R.3,40
Couple conique 10X34 R.3,40
Par conico 10X34 R.3,40

Weight: 44,200 Kg

Packaging: Wooden Case 70x46,5x22 cm

Notes:

Catalogue Codes:

Suitable to:

Groups / Products

DIFFERENZIALE / DIFFERENTIAL / DIFFERENTIEL / DIFERENCIAL / ДИФФЕРЕНЦИАЛ В СБОРЕ / MECHANIZM RÓŻNICOWY

Original manufacturers:

IVECO - VOLVO

OEM no.

42554983 (IVECO)

21546587 (VOLVO)

E666.M (MERITOR)

Versions:

MT150 (IVECO)

RTS2370A, RTS2370B (VOLVO)

Applications:

STRALIS, TRAKKER (IVECO)

FM9, FM12, FH12, FH16, NH12 (VOLVO)



CEI NEWS

NOW AVAILABLE IN STOCK / DISPONIBILE A STOCK / DISPONIBLE EN STOCK / DISPONIBLE EN ALMACEN / В НАЛИЧИЕ НА СКЛАДЕ / TERAZ DOSTĘPNE W MAGAZYNIE



Product details:

CEI no. **298.545**

Description: Wheel reduction side pinion kit
Kit satellite riduttore ruota
Lot de satellite reducteur roue
Juego satélite reductor rueda

Weight: 1,987 Kg

Packaging: Carton box 119x67x149 mm

Notes:

Catalogue Codes:

400.055

Suitable to:

Groups / Products

DIFFERENZIALE / DIFFERENTIAL / DIFFERENTIEL / DIFERENCIAL / ДИФФЕРЕНЦИАЛ В СБОРЕ / MECHANIZM RÓŻNICOWY

Original manufacturers:

MAN

OEM no.

81 35112 6018

Versions:

HD7-13120, HD7-16120, HD9-13120, HD9-16120, H7-13120, H7-16120, H9-13120, H9-16120

Applications:

F 90, E 2000, F 2000, TGA, LOW ENTRY, OLD Range



CEI NEWS

NOW AVAILABLE IN STOCK / DISPONIBILE A STOCK / DISPONIBLE EN STOCK / DISPONIBLE EN ALMACEN / В НАЛИЧИЕ НА СКЛАДЕ / TERAZ DOSTĘPNE W MAGAZYNIE



Product details:

CEI no. **298.888**

Description: Oil Seal Kit
Kit paraolio
Lot bague d'etancheite
Kit reten aceite

Weight: 0,100 Kg

Packaging: Plastic bag

Notes:

Catalogue Codes:

Suitable to:

Groups / Products

CAMBIO / GEARBOX / BOITE DE VITESSE / CAJA DE CAMBIO / КОРОБКА ПЕРЕДАЧ / SKRZYŃNIA BIEGÓW

Original manufacturers:

SCANIA

OEM no.
1900052
1761492

Versions:

GR875R, GRS895R, GR905R, GRS905R, GRS(O)905R, GRS(O)925R



CEI NEWS

NOW AVAILABLE IN STOCK / DISPONIBILE A STOCK / DISPONIBLE EN STOCK / DISPONIBLE EN ALMACEN / В НАЛИЧИЕ НА СКЛАДЕ / TERAZ DOSTĘPNE W MAGAZYNIE



Product details:

CEI no. **298.932**

Description: Synchro Kit
Kit sincronizzatore
Lot de synchro
Juego sincro

Weight: 0,231 Kg

Packaging: Plastic bag

Notes:

Catalogue Codes:

Suitable to:

Groups / Products

CAMBIO / GEARBOX / BOITE DE VITESSE / CAJA DE CAMBIO / КОРОБКА ПЕРЕДАЧ / SKRZYŃNIA BIEGÓW

Original manufacturers:

ZF

OEM no.
0501 221 930 (ZF)
42575361 (IVECO)

Models:
ECOLITE



CEI NEWS

NOW AVAILABLE IN STOCK / DISPONIBILE A STOCK / DISPONIBLE EN STOCK / DISPONIBLE EN ALMACEN / В НАЛИЧИЕ НА СКЛАДЕ / TERAZ DOSTĘPNE W MAGAZYNIE



Product details:

CEI no. **298.937**

Description: Gasket kit
Kit guarnizioni
Lot de joints
Kit de juntas

Weight: 0,250 Kg

Packaging: Carton box 145x145x34 mm

Notes:

Catalogue Codes:

Suitable to:

Groups / Products

CAMBIO / GEARBOX / BOITE DE VITESSE / CAJA DE CAMBIO / КОРОБКА ПЕРЕДАЧ / SKRZYŃNIA BIEGÓW

Original manufacturers:

ZF

OEM no.
1324 298 017

Models:
NEW ECOMID

Versions:
9S1110



CEI NEWS

NOW AVAILABLE IN STOCK / DISPONIBILE A STOCK / DISPONIBLE EN STOCK / DISPONIBLE EN ALMACEN / В НАЛИЧИЕ НА СКЛАДЕ / TERAZ DOSTĘPNE W MAGAZYNIE



Product details:

CEI no. **298.948**

Description: Spacers kit
Kit spessori
Lot de cales
Equipo Espesores

Weight: 0,542 Kg

Packaging: Carton box

Notes:

Catalogue Codes:

Suitable to:

Groups / Products

CAMBIO / GEARBOX / BOITE DE VITESSE / CAJA DE CAMBIO / КОРОБКА ПЕРЕДАЧ / SKRZYŃNIA BIEGÓW

Original manufacturers:

IVECO

OEM no.
8859309

Versions:

2865.6, 2870.9, 2895.9

Applications:

EUROCARGO, EUROTECH



CEI NEWS

NOW AVAILABLE IN STOCK / DISPONIBILE A STOCK / DISPONIBLE EN STOCK / DISPONIBLE EN ALMACEN / В НАЛИЧИЕ НА СКЛАДЕ / TERAZ DOSTĘPNE W MAGAZYNIE



Product details:

CEI no. **298.949**

Description: Spacers kit
Kit spessori
Lot de cales
Equipo Espesores

Weight: 0,046 Kg

Packaging: Plastic bag

Notes:

Suitable to:

Groups / Products

CAMBIO / GEARBOX / BOITE DE VITESSE / CAJA DE CAMBIO / КОРОБКА ПЕРЕДАЧ / SKRZYŃNIA BIEGÓW

Original manufacturers:

IVECO

OEM no.
8860775

Versions:

2845.5, 2845.6, 2855.5, 2855.6, 2865.6, 2870.9, 2895.9

Applications:

EUROCARGO, EUROTECH

Catalogue Codes:



CEI NEWS

NOW AVAILABLE IN STOCK / DISPONIBILE A STOCK / DISPONIBLE EN STOCK / DISPONIBLE EN ALMACEN / В НАЛИЧИЕ НА СКЛАДЕ / TERAZ DOSTĘPNE W MAGAZYNIE



Product details:

CEI no. **298.950**

Description: Spacers kit
Kit spessori
Lot de cales
Equipo Espesores

Weight: 0,040 Kg

Packaging: Plastic bag

Notes:

Catalogue Codes:

Suitable to:

Groups / Products

CAMBIO / GEARBOX / BOITE DE VITESSE / CAJA DE CAMBIO / КОРОБКА ПЕРЕДАЧ / SKRZYŃNIA BIEGÓW

Original manufacturers:

IVECO

OEM no.
8860776

Versions:

2838.5, 2845.6, 2855.5, 2855.6

Applications:

EUROCARGO



CEI NEWS

NOW AVAILABLE IN STOCK / DISPONIBILE A STOCK / DISPONIBLE EN STOCK / DISPONIBLE EN ALMACEN / В НАЛИЧИЕ НА СКЛАДЕ / TERAZ DOSTĘPNE W MAGAZYNIE



Product details:

CEI no. **298.951**

Description: Spacers kit
Kit spessori
Lot de cales
Equipo Espesores

Weight: 0,256 Kg

Packaging: Plastic bag

Notes:

Suitable to:

Groups / Products

CAMBIO / GEARBOX / BOITE DE VITESSE / CAJA DE CAMBIO / КОРОБКА ПЕРЕДАЧ / SKRZYŃNIA BIEGÓW

Original manufacturers:

IVECO

OEM no.
8861510

Versions:
2855.5, 2855.6

Applications:
EUROCARGO

Catalogue Codes:



CEI NEWS

NOW AVAILABLE IN STOCK / DISPONIBILE A STOCK / DISPONIBLE EN STOCK / DISPONIBLE EN ALMACEN / В НАЛИЧИЕ НА СКЛАДЕ / TERAZ DOSTĘPNE W MAGAZYNIE



Product details:

CEI no. **298.952**

Description: Spacers kit
Kit spessori
Lot de cales
Equipo Espesores

Weight: 0,372 Kg

Packaging: Plastic bag

Notes:

Suitable to:

Groups / Products

CAMBIO / GEARBOX / BOITE DE VITESSE / CAJA DE CAMBIO / КОРОБКА ПЕРЕДАЧ / SKRZYŃNIA BIEGÓW

Original manufacturers:

IVECO

OEM no.
8861809

Versions:
2855.5, 2855.6

Applications:
EUROCARGO

Catalogue Codes:



CEI NEWS

NOW AVAILABLE IN STOCK / DISPONIBILE A STOCK / DISPONIBLE EN STOCK / DISPONIBLE EN ALMACEN / В НАЛИЧИЕ НА СКЛАДЕ / TERAZ DOSTĘPNE W MAGAZYNIE



Product details:

CEI no. **469.183**

Description: Ring
Anello
Bague
Anillo

Weight: 0,040 Kg

Packaging: Plastic bag

Notes:

Catalogue Codes:

Suitable to:

Groups / Products

CAMBIO / GEARBOX / BOITE DE VITESSE / CAJA DE CAMBIO / КОРОБКА ПЕРЕДАЧ / SKRZYŃNIA BIEGÓW

Original manufacturers:

ZF

OEM no.

1310 202 001 (ZF)

42540088 (IVECO)

81 32240 0024 (MAN)

3096825 (VOLVO)

Models:

ECOLITE, NEW ECOLITE

Versions:

6S1250, 6S1600, 6S1900



CEI NEWS

NOW AVAILABLE IN STOCK / DISPONIBILE A STOCK / DISPONIBLE EN STOCK / DISPONIBLE EN ALMACEN / В НАЛИЧИЕ НА СКЛАДЕ / TERAZ DOSTĘPNE W MAGAZYNIE



CEI no.	Components	
	OEM no.	Q.ty
130.635	1301694	1
530.634	1911817	1
530.636	1360882	1
530.638	1772313	1
530.639	1301683	1
530.640	1301682	2

Product details:

CEI no. **598.084**

Description: Bearings kit
Kit cuscinetti
Kit roulementes
Equipo rodamientos

Weight: 13,300 Kg

Packaging: Carton box 263x263x185 mm

Notes:
Aftermarket

Catalogue Codes:
-

Suitable to:

Groups / Products

DIFFERENZIALE / DIFFERENTIAL / DIFFERENTIEL / DIFERENCIAL / ДИФФЕРЕНЦИАЛ В СБОРЕ / MECHANIZM RÓŻNICOWY

Original manufacturers:

SCANIA

OEM no.
550815

Versions:
RBP730

Applications:

Series 4, Series P, Series G, Series R, Series T