

Manufacturers part numbers are quoted for reference only

**Type**

Euro 3

   
D0836 LFL  
6 cyl

**N08**  
18 tonnes  
01.04. →


**N18**  
18 tonnes  
01.04. →

   
D0836 LFL  
6 cyl


**N48**  
26 tonnes  
01.06. →

**Front pipe**

**47260**  
81.15204.6096



**47259**  
81.15210.5004



**47276**  
81.15204.0542



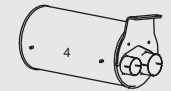
**Silencer**

**49396**  
81.15101.0362

→ 21.05



**49397**  
81.15101.0392




**Tail pipe**

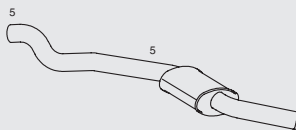
**47684**  
81.15201.0222

 F99L/R - LHD/RHD




**47696**  
81.15101.5127

 F99L - LHD  
N08. N18



**Mounting Parts**


1.  
**99785**  
06.67041.0121  
81.97420.0023  
06.67041.0133



2.  
**99789**  
06.67041.0123  
06.67042.0122



3.  
**49934**  
81.15110.0432



4.  
**49933**  
81.15110.0431



5.  
**99700**  
06.67041.0124  
06.67043.0124



Horizontal  
LHD/RHD  
Standard

**Series TGM**

**System No.:** 147001002

Manufacturers part numbers are quoted for reference only

**Type**

Euro 3

D0836 LFL  
6 cyl.

**N08**  
18 tonnes  
01.04. →

**N18**  
18 tonnes  
01.04. →

D0836  
6 cyl.

**N48**  
26 tonnes  
01.06. →

**Front pipe**

**47260**  
81.15204.6096

**47259**  
81.15210.5004

1

2

**47276**  
81.15204.0542

2

**Silencer**

**49396**  
81.15101.0362

→ 21.05.

3

4

**49397**  
81.15101.0392

4

**47682**  
81.15201.0224

F99L/R10/12 - LHD/RHD

5

5

**47697**  
81.15204.0543

7

7

5

6

(8)

**Tail pipe**

**47687**  
81.15103.0023

6

**49935**  
81.15110.0422

**Mounting Parts**

1.  
**99785**  
06.67041.0121  
81.97420.0023  
06.67041.0133

2.  
**99789**  
06.67041.0123  
06.67042.0122

3.  
**49934**  
81.15110.0432

4.  
**49933**  
81.15110.0431

5.  
**99700**  
06.67041.0124  
06.67043.0124

6.  
**99704**  
81.97420.2017  
83.97420.0500

7.  
**49938**  
81.97401.5033

8.  
**98400**  
81.15204.6034  
81.15204.6022  
81.15204.5486

Vertical  
LHD/RHD  
Standard